

Product information



Product number:	TL44S-Pro Series
Track System:	3 wire, 4 wire, 6 wire
Input Voltage (v):	220-240V
Dimming:	On/Off, TRIAC, Knob, DALI
Light source:	COB LED
luminaire Lifetime:	50.000h (L80-B10, Ta25°C)
Rotation Angle (degree):	350
Tilting Angle (degree):	90
IP Rating:	20
Working Temperature (°C)	-5 ~ +30
Storage Temperature (°C)	-20 ~ +50
Material:	Aluminium
Fitting Colors:	9016 Sandy White / 9017 Sandy Black

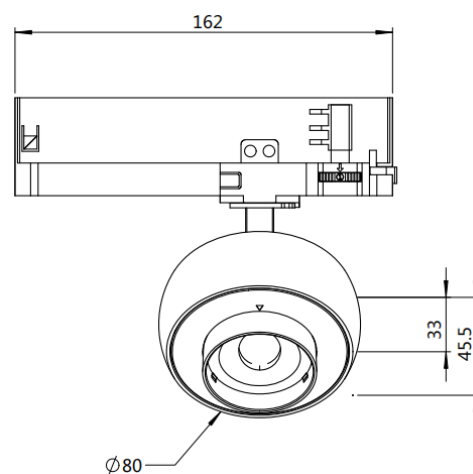


Packaging information

N.W. lamp (Kg)	0.28
G.W. Carton (Kg)	8.5
Master carton dimensions(mm)	515x415x305
Quantity per carton(pcs):	24



Beam	Watt	CRI	Luminous	CCT	Code
14	15W	90	1124.4	4000K	TL444S-Pro-15G40-S
			1058.0	3000K	TL444S-Pro-15G30-S
			983.9	2700K	TL444S-Pro-15G27-S
20	15W	90	1068.4	4000K	TL444S-Pro-15G40-M
			1008.0	3000K	TL444S-Pro-15G30-M
			937.4	2700K	TL444S-Pro-15G27-M
27	15W	90	1073.2	4000K	TL444S-Pro-15G40-F
			1012.5	3000K	TL444S-Pro-15G30-F
			941.6	2700K	TL444S-Pro-15G27-F
36	15W	90	933.5	4000K	TL444S-Pro-15G40-WF
			880.7	3000K	TL444S-Pro-15G30-WF
			819.0	2700K	TL444S-Pro-15G27-WF



Code composition: TL44 X S - Pro - X 15 G30 - B S - L01

① ② ③ ④ ⑤ ⑥ ⑦ ⑧ ⑨ ⑩

① Code	② Track	③ Dimensions	④ Series	⑤ Dimming type	⑥ Watt	⑦ LED Kelvin & CRI	⑧ Finishes	⑨ Optical angle	⑩ Accessories
TL44	6 Wire	S	Pro	X Not-Driver	15W	H27 2700 >95	White	S Spot	L01 Honeycomb
	4 Wire			T TRIAC		G30 3000 >90	Black	M Medium	L02 Oval diffuser
	3 Wire			K Knob		G40 4000 >90		F Flood	L03 Diffuser
				D DALI		E50 5000 >80		WF Wide Flood	