

Product information

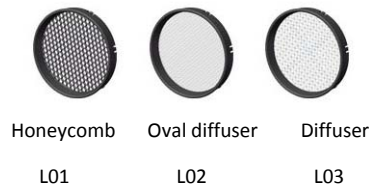


Product number:	TL44M-Pro Series
Track System:	3 wire, 4 wire, 6 wire
Input Voltage (v):	220-240V
Dimming:	On/Off, TRIAC, Knob, DALI
Light source:	COB LED
luminaire Lifetime:	50.000h (L80-B10, Ta25°C)
Rotation Angle (degree):	350
Tilting Angle (degree):	90
IP Rating:	20
Working Temperature (°C)	-5 ~ +30
Storage Temperature (°C)	-20 ~ +50
Material:	Aluminium
Fitting Colors:	9016 Sandy White / 9017 Sandy Black

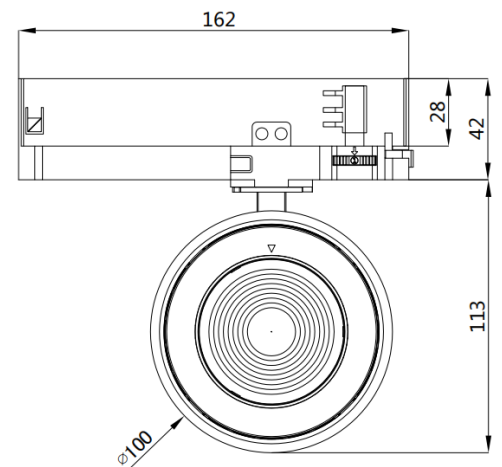


Packaging information

N.W. lamp (Kg)	0,44
G.W. Carton (Kg)	9
Master carton dimensions(mm)	430x430x390
Quantity per carton(pcs):	16



Beam	Watt	CRI	Luminous	CCT	Code
19	20W	90	1807.3	4000K	TL444M-Pro-20G40-S
			1705.0	3000K	TL444M-Pro-20G30-S
			1585.6	2700K	TL444M-Pro-20G27-S
22	20W	90	1804.9	4000K	TL444M-Pro-20G40-M
			1702.8	3000K	TL444M-Pro-20G30-M
			1583.6	2700K	TL444M-Pro-20G27-M
34	20W	90	1685.7	4000K	TL444M-Pro-20G40-F
			1590.3	3000K	TL444M-Pro-20G30-F
			1478.9	2700K	TL444M-Pro-20G27-F
38	20W	90	1679.6	4000K	TL444M-Pro-20G40-W
			1584.6	3000K	TL444M-Pro-20G30-W
			1473.6	2700K	TL444M-Pro-20G27-W



Code composition: TL44 X M - Pro - X 20 G30 - B S - L01

① ② ③ ④ ⑤ ⑥ ⑦ ⑧ ⑨ ⑩

① Code	② Track	③ Dimensions	④ Series	⑤ Dimming type	⑥ Watt	⑦ LED Kelvin & CRI	⑧ Finishes	⑨ Optical angle	⑩ Accessories
TL44	6 Wire	M	Pro	X Not-Driver	20W	H27 2700 >95	White	S Spot	L01 Honeycomb
	4 Wire			T TRIAC		G30 3000 >90	Black	M Medium	L02 Oval diffuser
	3 Wire			K Knob		G40 4000 >90		F Flood	L03 Diffuser
				D DALI		E50 5000 >80		WF Wide Flood	