

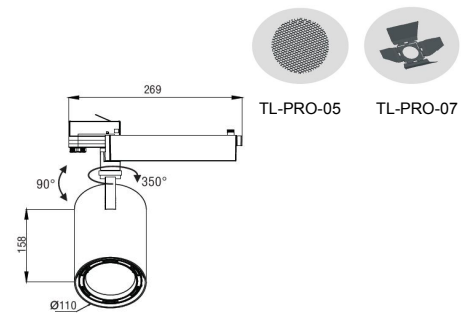
iTrack Pro Series

TL28-20W

Reflector

Technical Parameters:

Name	Parameters
Light source:	COB
Input Voltage:	AC220~240V 50/60Hz
LED Current:	500mA, 35-37V
Rated life:	>35,000 hours
Operating temperature:	-20°C~40°C
Storage temperature:	-30°C~60°C
Certificate:	CE/RoHS
Weight:	1.25KG



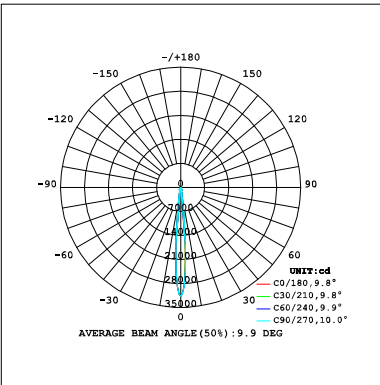
Ordering Information:

○White ●Black

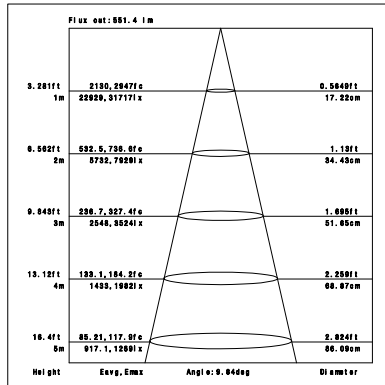
Power	CRI	Beam Angle	Luminous	CCT	Housing	Part Number	
20W	>80	▲ 10°	2040 lm	3000K	○	TL284-20W-830-W-10	
					●	TL284-20W-830-B-10	
			2050 lm	4000K	○	TL284-20W-840-W-10	
					●	TL284-20W-840-B-10	
		▲ 20°	2060 lm	3000K	○	TL284-20W-830-W-20	
					●	TL284-20W-830-B-20	
			2060 lm	4000K	○	TL284-20W-840-W-20	
					●	TL284-20W-840-B-20	
		▲ 38°	2050 lm	3000K	○	TL284-20W-830-W-38	
					●	TL284-20W-830-B-38	
			2040 lm	4000K	○	TL284-20W-840-W-38	
					●	TL284-20W-840-B-38	
	>90	▲ 10°	1730 lm	3000K	○	TL284-20W-930-W-10	
					●	TL284-20W-930-B-10	
			1870 lm	4000K	○	TL284-20W-940-W-10	
					●	TL284-20W-940-B-10	
			▲ 20°	1750 lm	3000K	○	TL284-20W-930-W-20
						●	TL284-20W-930-B-20
		1900 lm		4000K	○	TL284-20W-940-W-20	
					●	TL284-20W-940-B-20	
		▲ 38°	1750 lm	3000K	○	TL284-20W-930-W-38	
					●	TL284-20W-930-B-38	
			1890 lm	4000K	○	TL284-20W-940-W-38	
					●	TL284-20W-940-B-38	

Technical Data test pattern

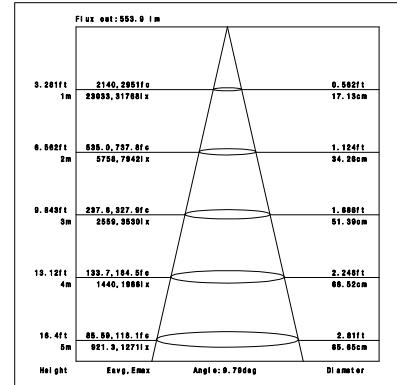
CRI80 10°



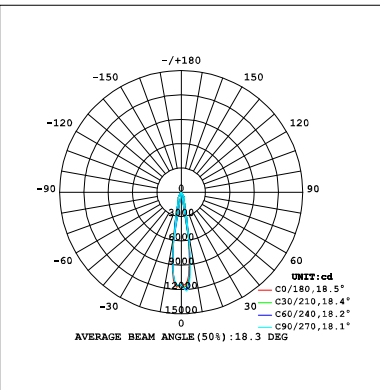
3000K



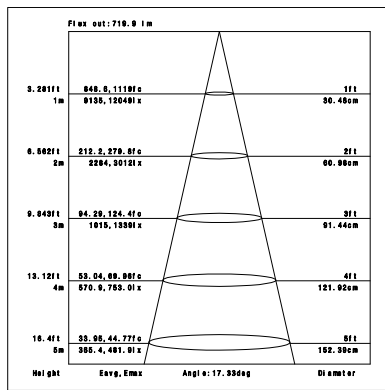
4000K



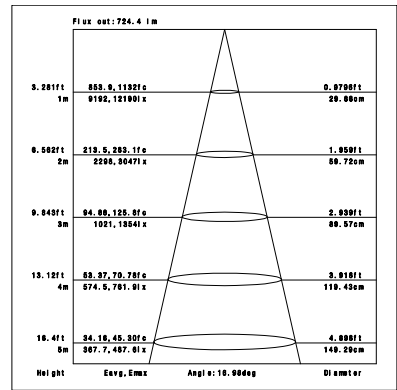
CRI80 20°



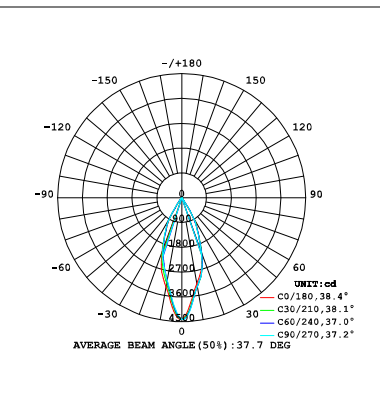
3000K



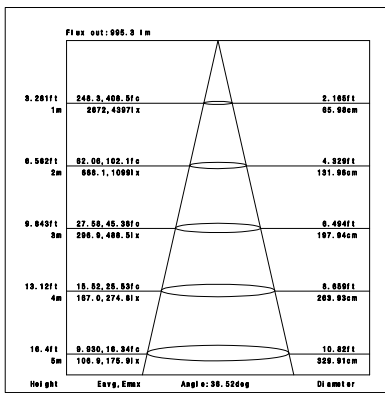
4000K



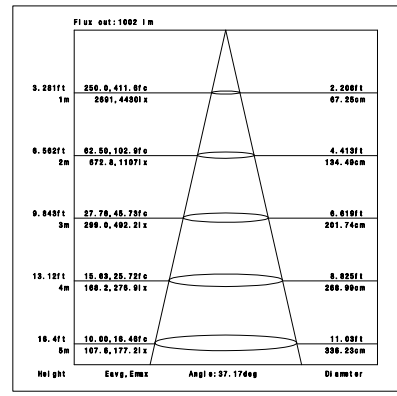
CRI80 38°



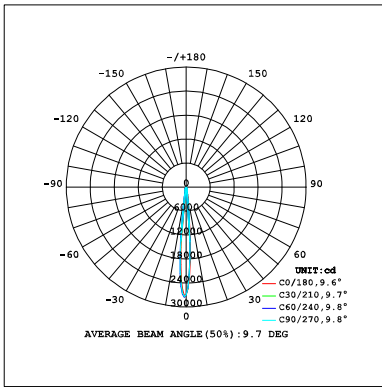
3000K



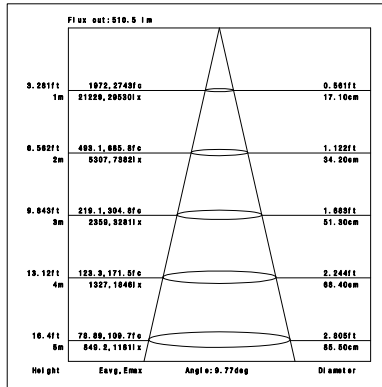
4000K



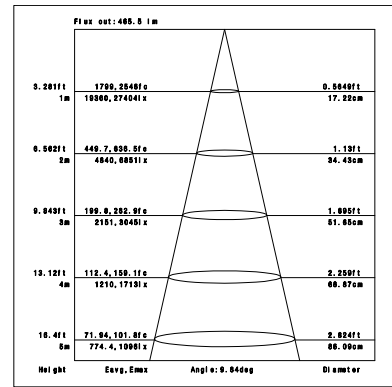
CRI90 10°



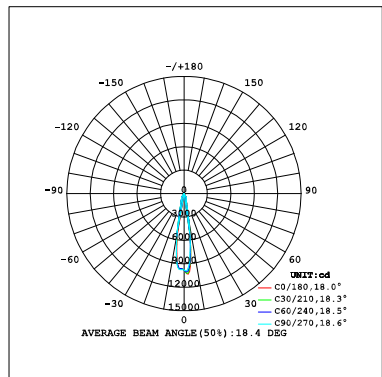
3000K



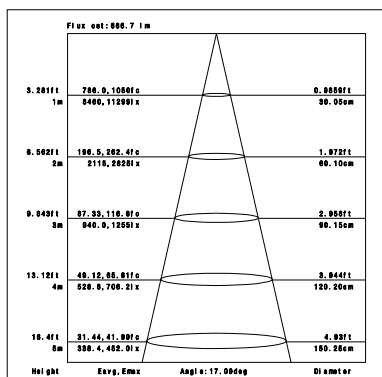
4000K



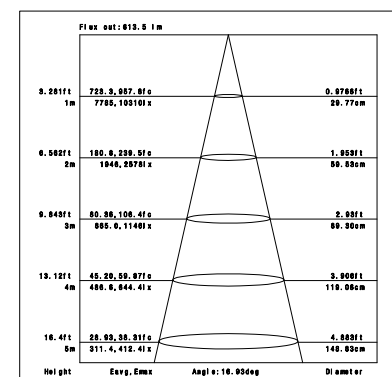
CRI90 20°



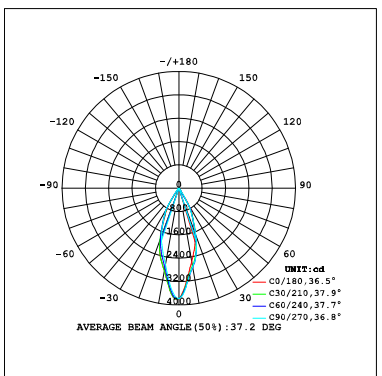
3000K



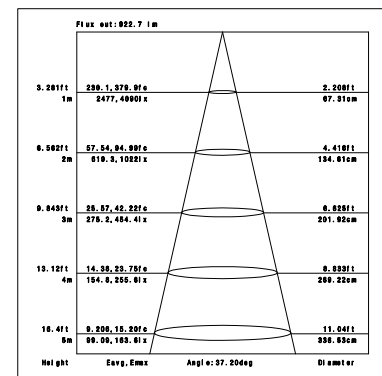
4000K



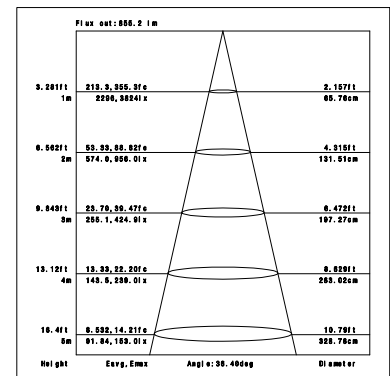
CRI90 38°



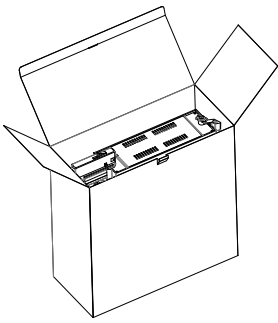
3000K



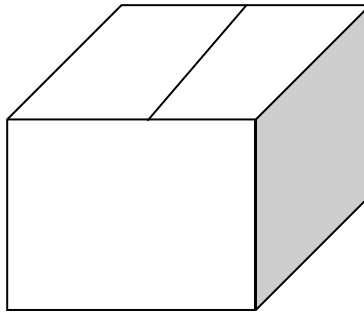
4000K



Packaging:



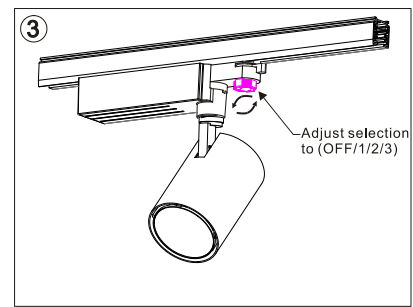
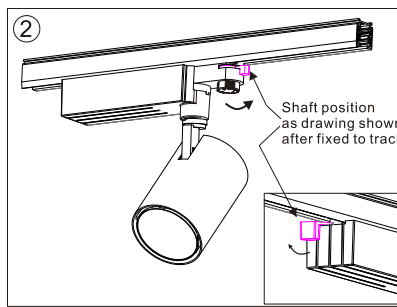
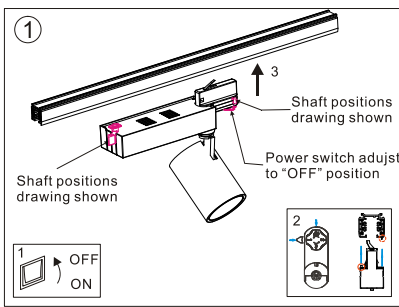
Box
 L280*W110*H280 mm
 1pc/box
 GW: 1.55kg/box



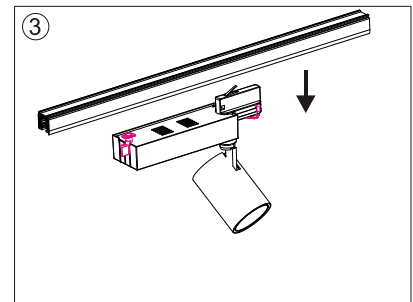
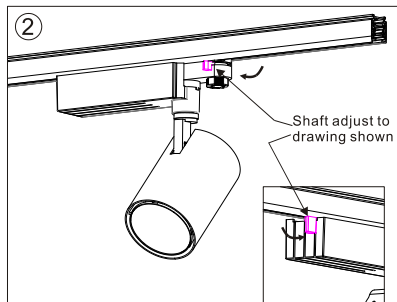
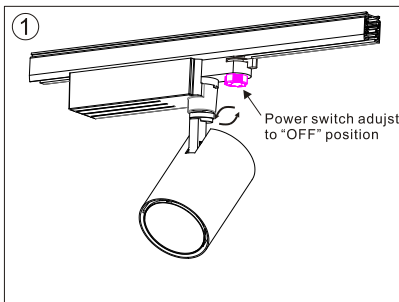
Outer carton
 L590Xw570xH320mm
 10 pcs/CTN
 GW: 17kg/carton

Installation instruction

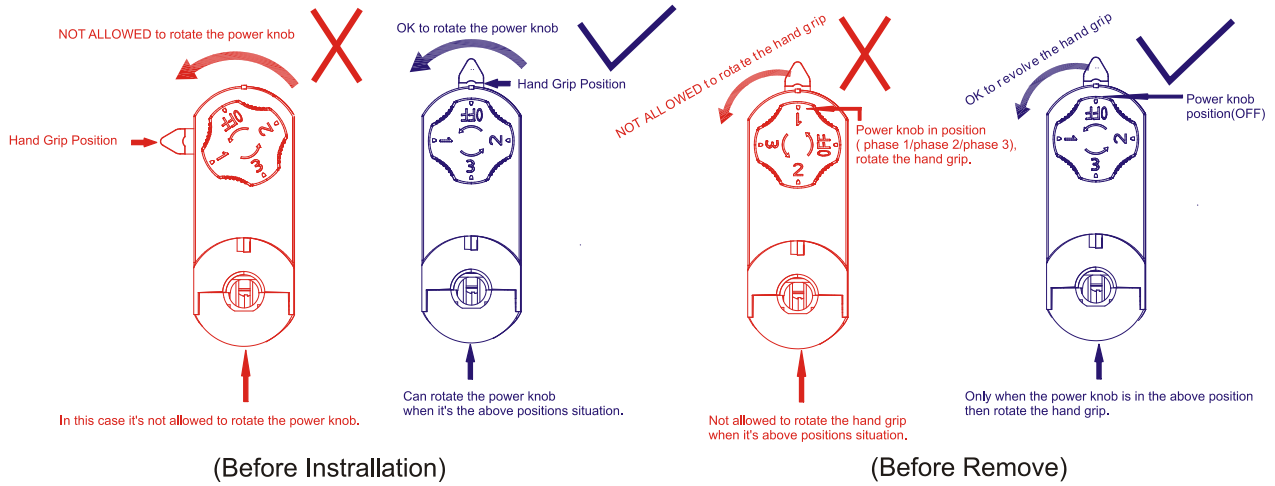
Adaptor installation diagram



Adaptor disassembly diagram



Cautions



Product naming system

