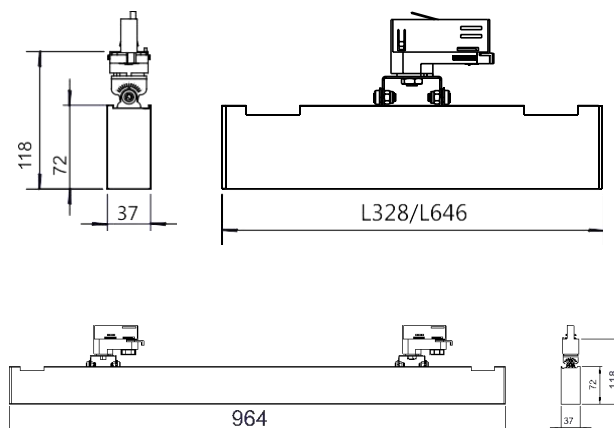
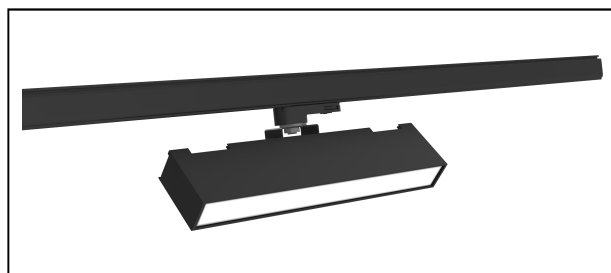


TL1-L328B/L646B /L964B

Technical Parameters:

Name	Parameters		
Light source:	3030SMD		
Input Voltage:	AC100~277V 50/60Hz		
Power	15W	30W	40W
LED Current:	350mA	700mA	1000mA
Rated life:	>50,000 hours		
Operating temperature:	-20°C~40°C		
Storage temperature:	-30°C~60°C		
Certificate:	CE/RoHS		
Dimmability:	Non-dimmable 0-10V dimming		
Weight:	0.8KG (L328) 1.4KG (L646) 2.0KG (L964)		



Ordering Information:

Length	Power	CRI	Beam Angle	Luminous	CCT	Housing	Part Number
							○ White ● Black
328mm	15W	>80	90°	1100 lm	3000K	○	TL1-L328B-15W-830-W-90°
						●	TL1-L328B-15W-830-B-90°
				1200 lm	4000K	○	TL1-L328B-15W-840-W-90°
						●	TL1-L328B-15W-840-B-90°
646mm	30W	>80	90°	2200 lm	3000K	○	TL1-L646B-30W-830-W-90°
						●	TL1-L646B-30W-830-B-90°
				2400 lm	4000K	○	TL1-L646B-30W-840-W-90°
						●	TL1-L646B-30W-840-B-90°
964mm	40W	>80	90°	3100 lm	3000K	○	TL1-L964B-40W-830-W-90°
						●	TL1-L964B-40W-830-B-90°
				3200 lm	4000K	○	TL1-L964B-40W-840-W-90°
						●	TL1-L964B-40W-840-B-90°



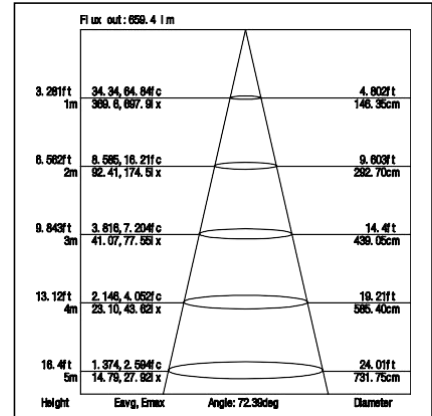
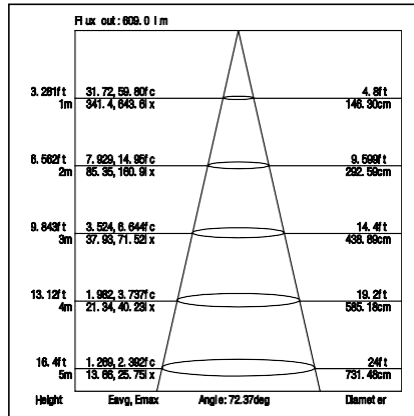
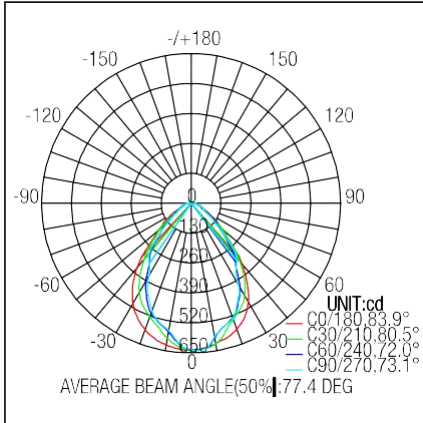
Technical Data test pattern

L328B-15W

90°

3000K

4000K

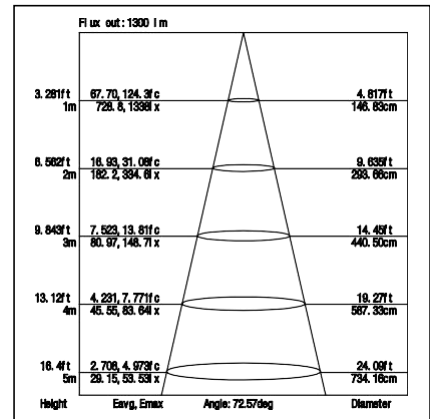
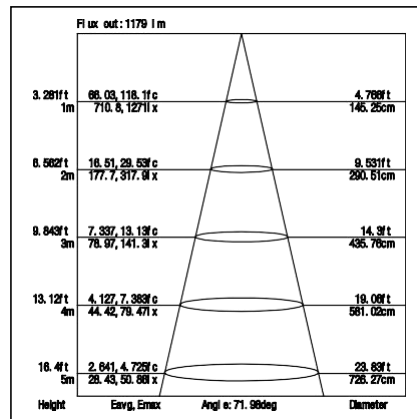
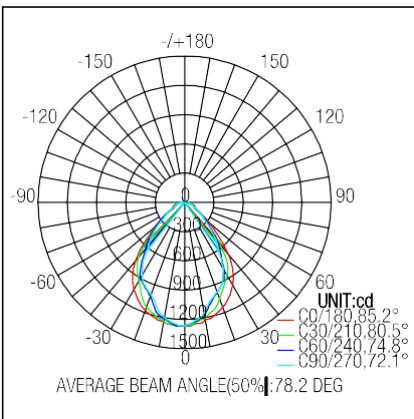


L646B-30W

90°

3000K

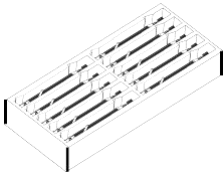
4000K



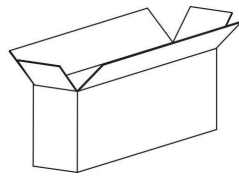
Installation instruction

Packaging:

L328A

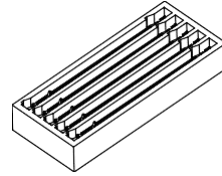


Inner Box
L690*W285*H110mm
10pc/box
GW: 8kg/box

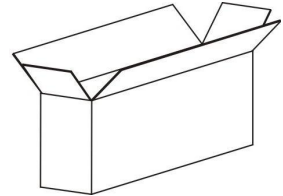


Master Carton
L700*295*265mm
20pc/box
GW: 17.2kg/box

L646A

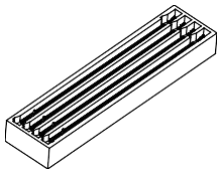


Inner Box
L690*W285*H110mm
5pc/box GW:
7kg/box

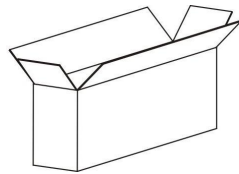


Master Carton
L700*295*265mm
10pc/box
GW: 15.2kg/box

L964A



Inner Box
L995*W223*H110mm
4pc/box GW:
8kg/box



Master Carton
L1000*240*265mm
8pc/box
GW: 17.2kg/box