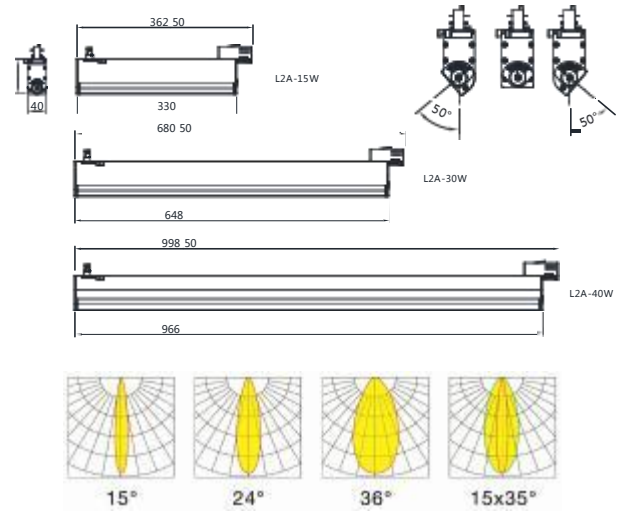
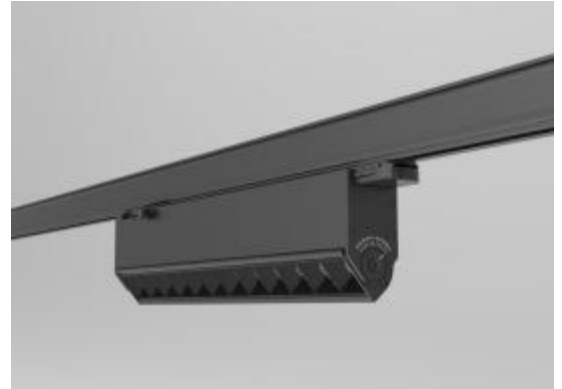


L2A-15W/30W/40W

Technical Parameters:

Name	Parameters		
Light source:	3030SMD		
Input Voltage:	AC100~277V 50/60Hz		
Power	15W	30W	40W
LED Current:	350mA	700mA	1000mA
Rated life:	>50,000 hours		
Operating temperature:	-20°C ~40°C		



Ordering Information:

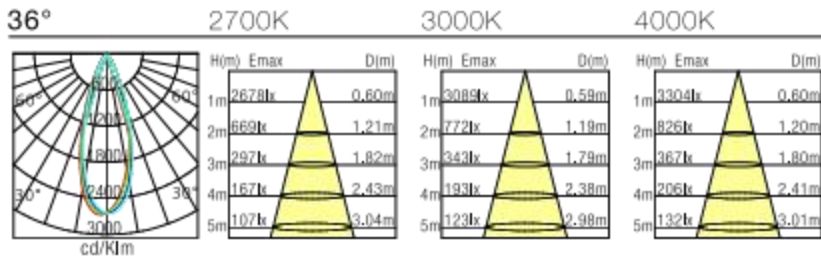
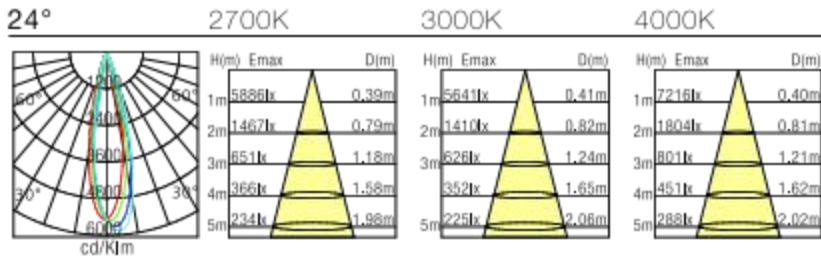
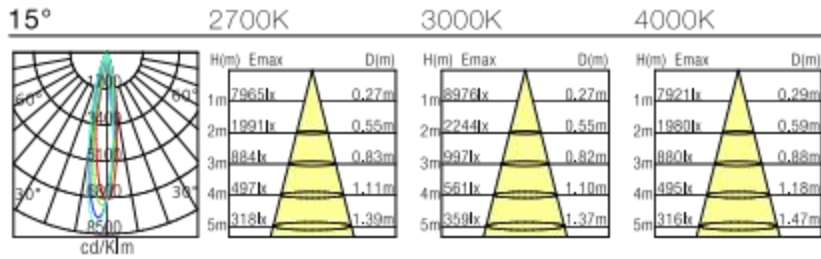
Power	CRI	Beam Angle	Luminous	CCT	Housing	Part Number
						○ White ● Black
15W	>80	15°/24°/36°/15x35°	1200 lm	2700K	○	TL4-L2A03-15W-827-W-**
					●	TL4-L2A03-15W-827-B-**
			1300 lm	3000K	○	TL4-L2A03-15W-830-W-**
					●	TL4-L2A03-15W-830-B-**
					○	TL4-L2A03-15W-840-W-**
					●	TL4-L2A03-15W-840-B-**
30W	>80	15°/24°/36°/15x35°	2300 lm	2700K	○	TL4-L2A06-30W-827-W-**
					●	TL4-L2A06-30W-827-B-**
			2400 lm	3000K	○	TL4-L2A06-30W-830-W-**
					●	TL4-L2A06-30W-830-B-**
					○	TL4-L2A06-30W-840-W-**
					●	TL4-L2A06-30W-840-B-**
40W	>80	15°/24°/36°/15x35°	3100 lm	2700K	○	TL4-L2A09-40W-827-W-**
					●	TL4-L2A09-40W-827-B-**
			3150 lm	3000K	○	TL4-L2A09-40W-830-W-**
					●	TL4-L2A09-40W-830-B-**
					○	TL4-L2A09-40W-840-W-**
					●	TL4-L2A09-40W-840-B-**

** **: Angle 15/24/36/15x35

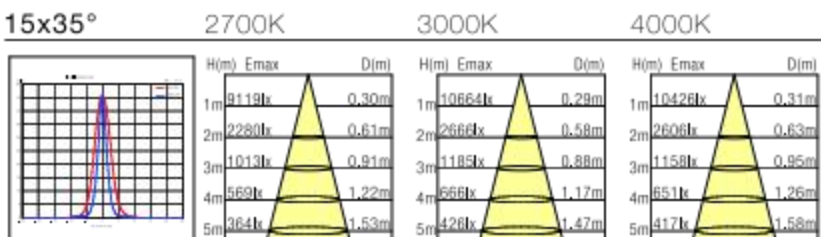
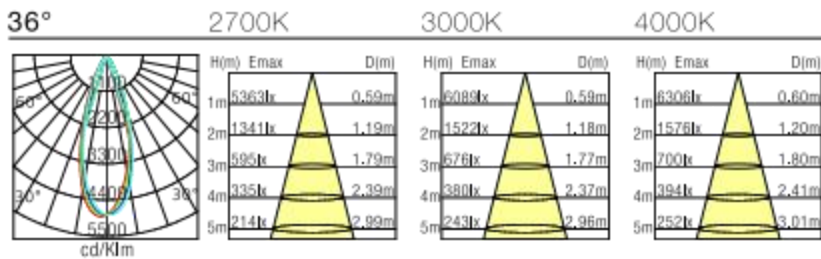
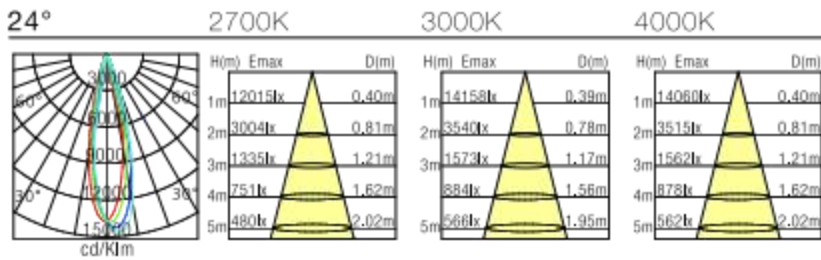


Technical Data test pattern

L2A-15W

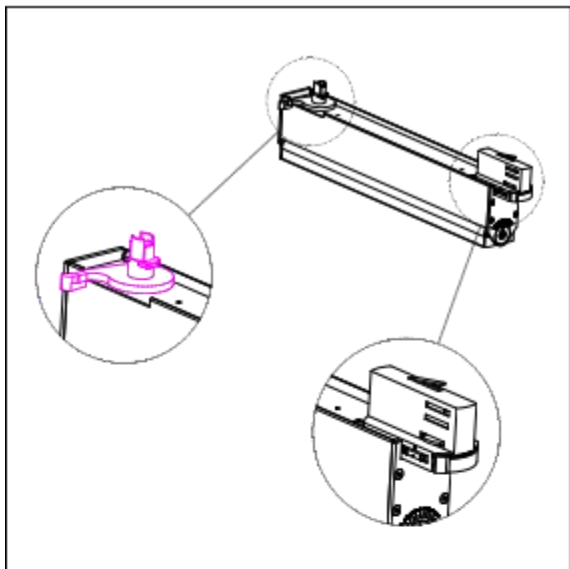


L2A30W

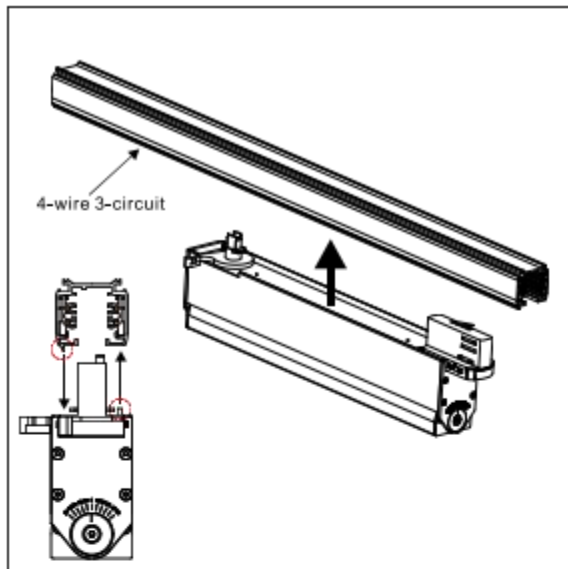


Installation instruction

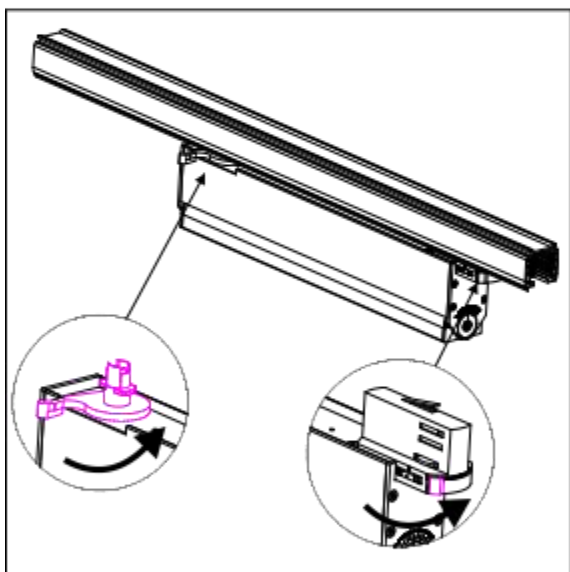
L2A/L2B Linear light Installation Instruction(4-Wire 3-Phase)



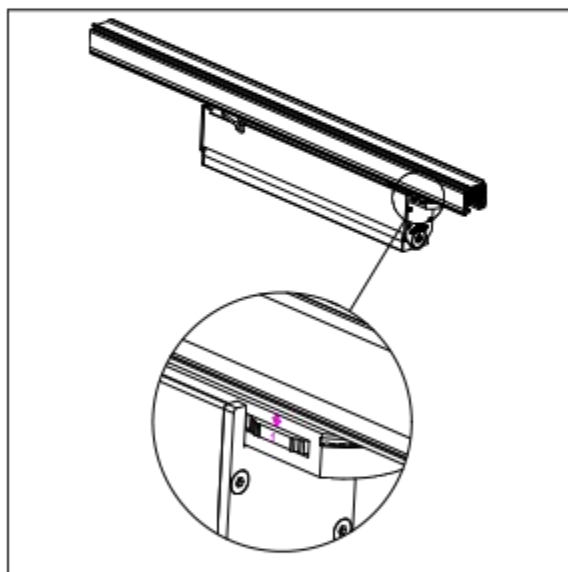
1, The track adaptor and lock-up clip adjust to the position like picture showed.



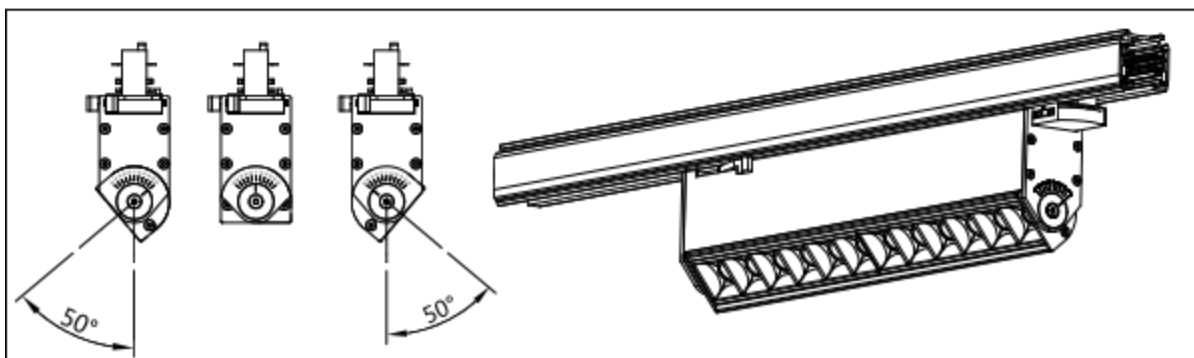
2, Push the Linear light into the track, pay attention to the position of the track's ridge. The ridge on the linear light track adaptor should be matched with the side of the track that has no ridge.



3, Swivel 90degree for both the lock of track adaptor and the clip.



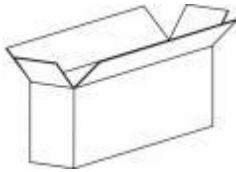
4, Shift 1/2/3 circuit by swivel the button



5, Adjust the light beam direction.

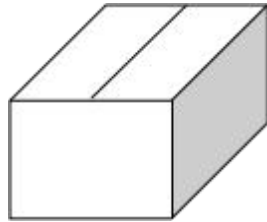
Packaging:

L2A03-15W



Inner Box

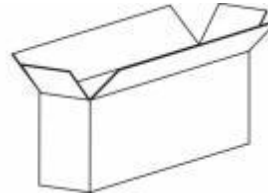
L375*W54*H115mm
1pc/box
GW: 0.85kg/box



Master Carton

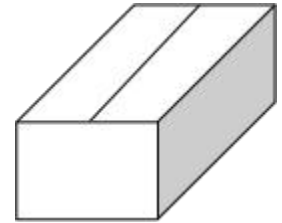
L570*W385*H260mm
20pc/box
GW: 17.2kg/Carton

L2A06-30W



Inner Box

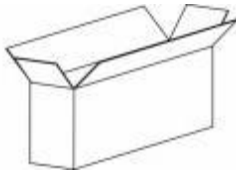
L690*W54*H115mm
1pc/box
GW: 1.45kg/box



Master Carton

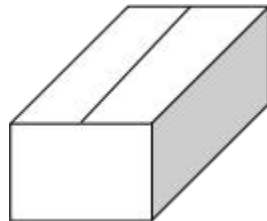
L700*W300*H260mm
10pc/box
GW: 15.2kg/Carton

L2A09-40W



Inner Box

L1000*W54*H115mm
1pc/box
GW: 2.0kg/box



Master Carton

L1050*W230*H260mm
8pc/box
GW: 17.2kg/Carton

Product naming system:

TL (D) 4 - L2 A 03 - 15W - 8 3 0 - X- XX

