

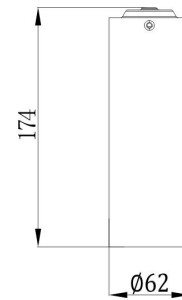
Pro Series

SD061-15W

Reflector

Technical Parameters:

Name	Parameters
Light source:	COB
Input Voltage:	AC220~240V 50/60Hz
LED Current:	S350mA, 35-37V
Rated life:	>50,000 hours
Operating temperature:	-20°C~40°C
Storage temperature:	
Certificate:	CE/RoHS
Dimmability:	NON-Dimmable
Weight:	0.45KG



Ordering Information:

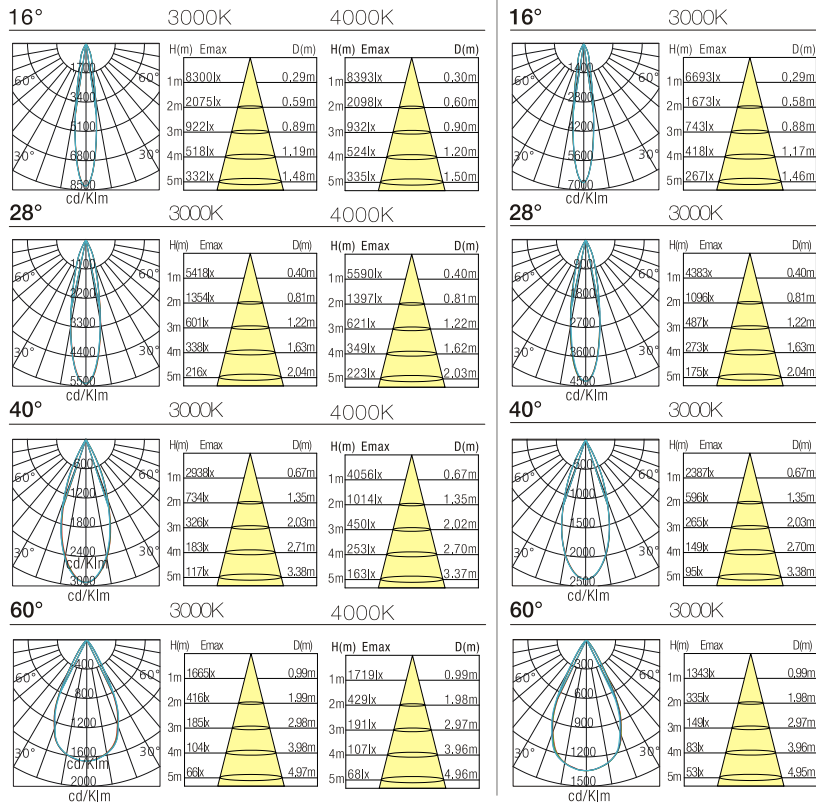
○ White ● Black

Power	CRI	Beam Angle	Luminous	CCT	Housing	Part Number
15W	>80	▲ 16°	1280 lm	3000K	○	SD061-15W-830-W-16
					●	SD061-15W-830-B-16
			1320 lm	4000K	○	SD061-15W-840-W-16
				●	SD061-15W-840-B-16	
		▲ 24°	1260 lm	3000K	○	SD061-15W-830-W-24
					●	SD061-15W-830-B-24
			1310 lm	4000K	○	SD061-15W-840-W-24
				●	SD061-15W-840-B-24	
		▲ 38°	1210 lm	3000K	○	SD061-15W-830-W-38
					●	SD061-15W-830-B-38
			1260 lm	4000K	○	SD061-15W-840-W-38
				●	SD061-15W-840-B-38	
	▲ 60°	1230 lm	3000K	○	SD061-15W-830-W-60	
				●	SD061-15W-830-B-60	
		1270 lm	4000K	○	SD061-15W-840-W-60	
			●	SD061-15W-840-B-60		
	>90	▲ 16°	1080 lm	3000K	○	SD061-15W-930-W-16
					●	SD061-15W-930-B-16
			1220 lm	4000K	○	SD061-15W-940-W-16
				●	SD061-15W-940-B-16	
		▲ 24°	1080 lm	3000K	○	SD061-15W-930-W-24
					●	SD061-15W-930-B-24
			1210 lm	4000K	○	SD061-15W-940-W-24
				●	SD061-15W-940-B-24	
▲ 38°		1040 lm	3000K	○	SD061-15W-930-W-38	
				●	SD061-15W-930-B-38	
		1150 lm	4000K	○	SD061-15W-940-W-38	
			●	SD061-15W-940-B-38		
▲ 60°	1070 lm	3000K	○	SD061-15W-930-W-60		
			●	SD061-15W-930-B-60		
	1180 lm	4000K	○	SD061-15W-940-W-60		
		●	SD061-15W-940-B-60			

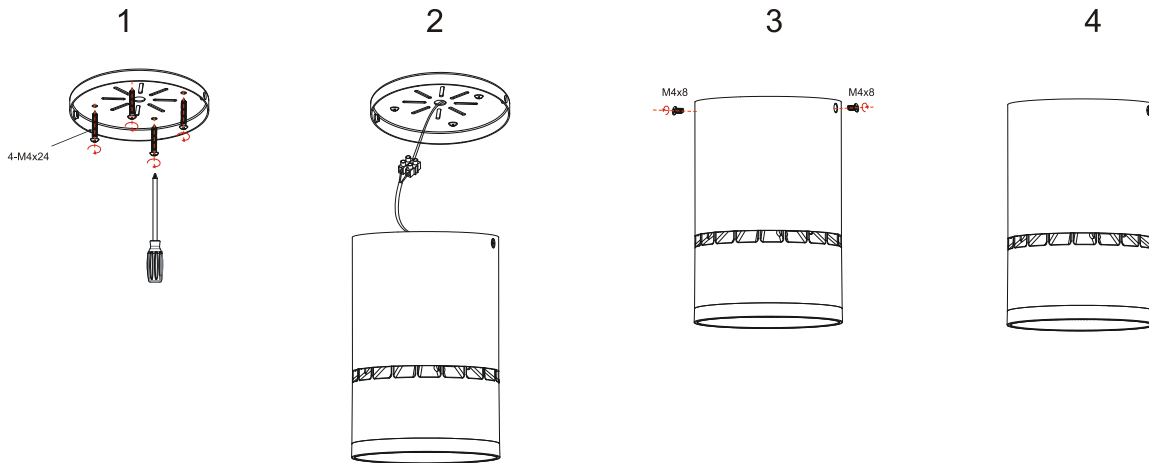
Technical Data test pattern

15W	CRI>80			CRI>90		
	LED			Luminaire		
Power	6.2W			13.8W		
Current	180mA			350mA		
Luminous Flux	836lm	875lm	905lm	1276lm	1327lm	
CCT	2700k	3000K	4000K	3000K	4000K	
Color tolerance	3 SDCM					
Service life	>50000Hrs			>50000Hrs		
Beam Angle	120°			16°\ 24°\ 38°\ 60°		
Typical Efficiency				86%		
Efficacy(lm/W)	134	140	145	92	96	

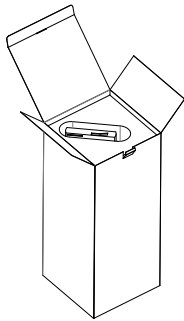
15W	CRI>80			CRI>90		
	LED			Luminaire		
Power	6.2W			13.8W		
Current	180mA			350mA		
Luminous Flux	694lm	726lm	751lm	1024lm		
CCT	2700K	3000K	4000K	3000K		
Color tolerance	3 SDCM					
Service life	>50000Hrs			>50000Hrs		
Beam Angle	120°			16°\ 24°\ 38°\ 60°		
Typical Efficiency				86%		
Efficacy(lm/W)	111	116	120	74		



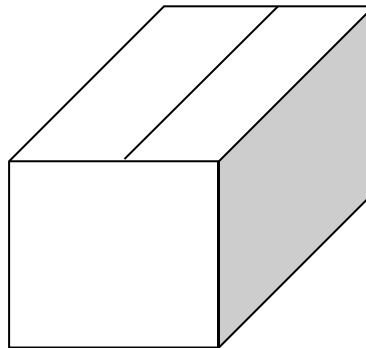
Installation instruction



Packaging:



Box
 L80*W80*H290mm
 1pc/box
 GW: 0.65kg/box



Outer carton
 L565xW235xH315mm
 25 pcs/CTN
 GW: 18.5kg/carton

Product Nomenclature

SD (X) XX X (H) - X - X XX - X - XX

