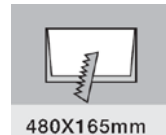


iGrid Series

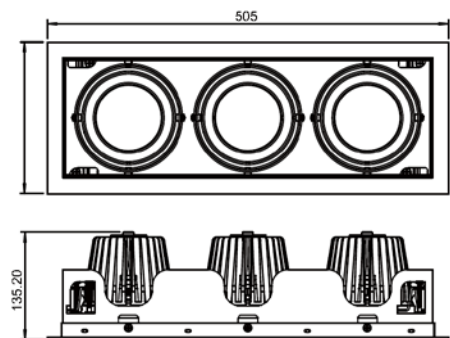
GL10-3X40W

Reflector



Technical Parameters:

Name	Parameters
Light source:	COB
Input Voltage:	AC220~240V 50/60Hz
LED Current:	1000mA (35-37V)
Rated life:	>50,000 hours
Operating temperature:	-20°C~40°C
Storage temperature:	-30°C~60°C
Certificate:	TUV/CE/RoHS
Dimmability:	Dimmable Optional
Weight:	4.5KG



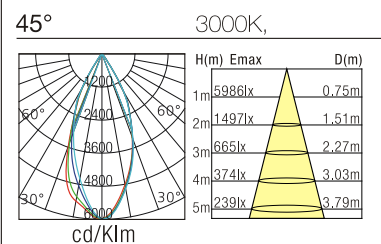
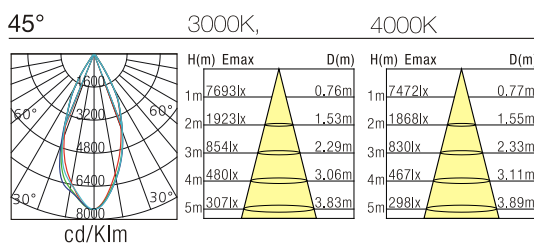
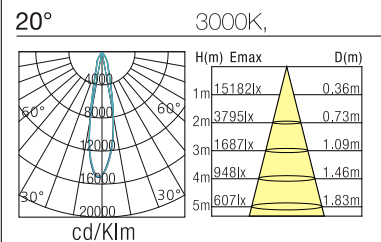
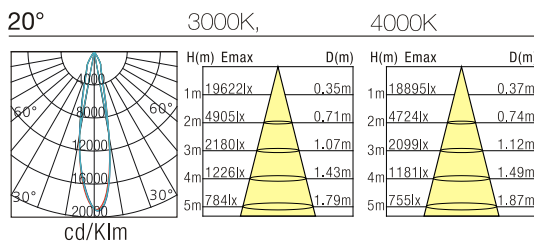
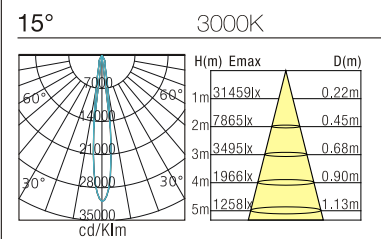
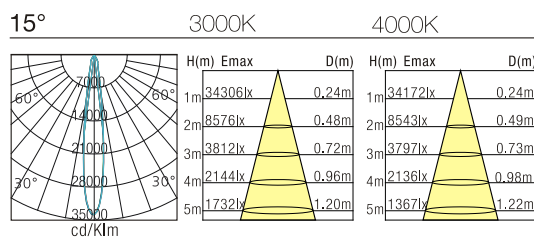
Ordering Information:

● White+Black

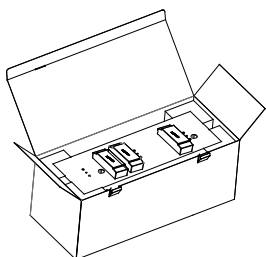
Power	CRI	Beam Angle	Luminous	CCT	Housing	Part Number		
3X40W	>80	▲ 15°	9500 lm	3000K	●	GL1031-40W-830-W-15		
			9900 lm	4000K	●	GL1031-40W-840-W-15		
			9950 lm	5000K	●	GL1031-40W-850-W-15		
		▲ 20°	9000 lm	3000K	●	GL1031-40W-830-W-20		
			9400 lm	4000K	●	GL1031-40W-840-W-20		
			9800 lm	5000K	●	GL1031-40W-850-W-20		
	▲ 45°	9000 lm	3000K	●	GL1031-40W-830-W-45			
			4000K	●	GL1031-40W-840-W-45			
			5000K	●	GL1031-40W-850-W-45			
		>90	▲ 15°	7700 lm	3000K	●	GL1031-40W-930-W-15	
				▲ 20°	7750 lm	3000K	●	GL1031-40W-930-W-20
					▲ 45°	7600 lm	3000K	●

Technical Data test pattern

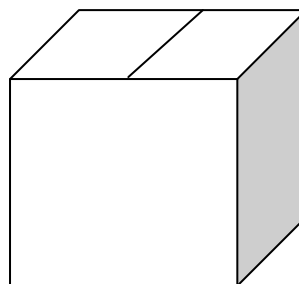
40W	CRI>80						CRI>90			
	LED			Luminaire			LED		Luminaire	
Power	24.9W			41.4W			24.9W		41.4W	
Current	720mA			1000mA			720mA		1000mA	
Flux	3586lm	3697lm	3794lm	4213lm	4330lm	2962lm	3363lm			
CCT	3000K	4000K	5000K	3000K	4000K	3000K	3000K			
Color tolerance	3 SDCM						3 SDCM			
Service life	>50000Hrs			>50,000Hrs			>50000Hrs		>50,000Hrs	
Beam Angle	120°			15°\20°\45°			120°		15°\20°\45°	
Typical Efficiency				85%					85%	
Efficacy(lm/W)	144	148	150	101	104	119	81			



Packaging:

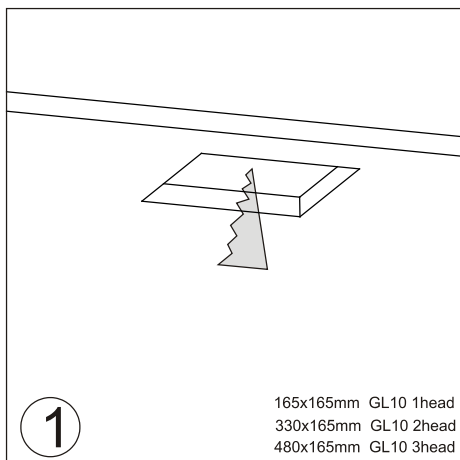


Box
L525*W210*H170mm
1pc/box
GW: 4.6kg/box

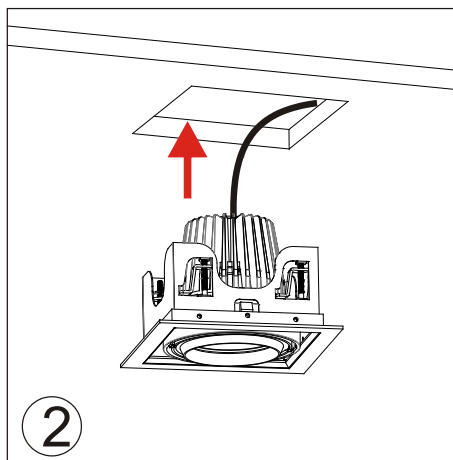


Outer carton
L550*W450*H360mm
4pcs/box
GW: 29kg/carton

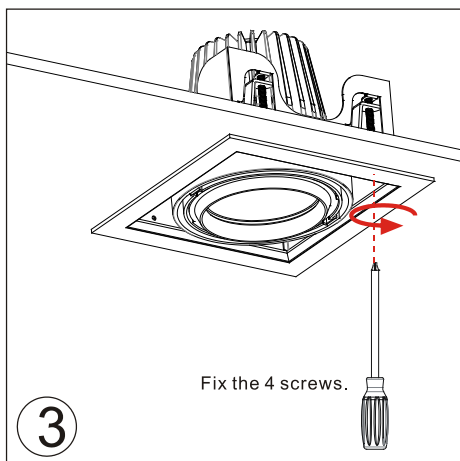
Installation instruction



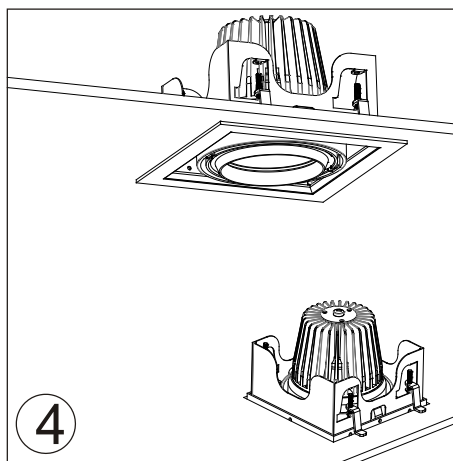
Ceiling Cut Hole



1, Connect Wire.
2, Put the lamp into the cut hole.



Use the screw driver to tighten the screw.



Done.

Product naming system

