

iGrid Series

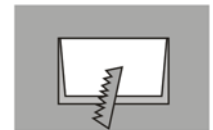
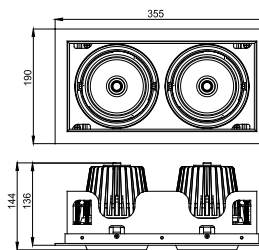
**GL10-2X20W**

Reflector



Technical Parameters:

Name	Parameters
Light source:	COB
Input Voltage:	AC220~240V 50/60Hz
LED Current:	500mA (35-37V)
Rated life:	>50,000 hours
Operating temperature:	-20°C~40°C
Storage temperature:	-30°C~60°C
Certificate:	TUV/CE/RoHS
Dimmability:	Dimmable Optional
Weight:	1.8KG



330X165mm

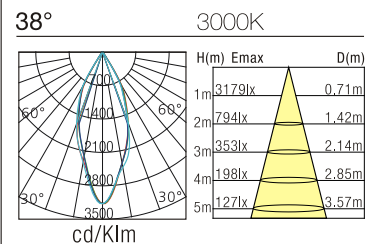
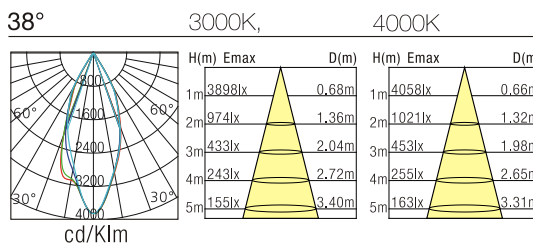
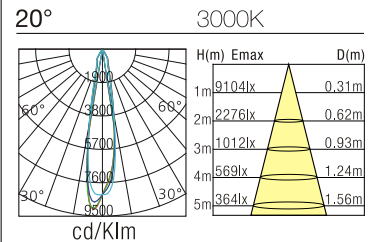
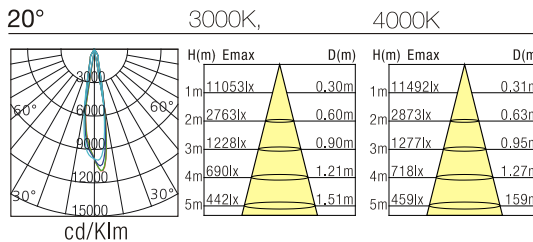
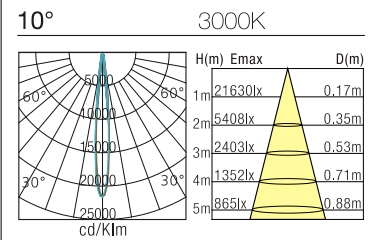
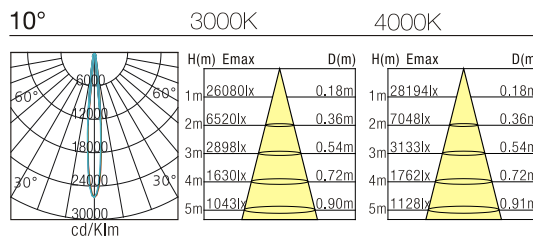
Ordering Information:

● White+Black

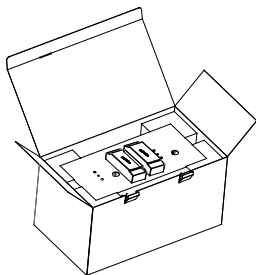
Power	CRI	Beam Angle	Luminous	CCT	Housing	Part Number
2X20W	>80	▲ 10°	3300 lm	3000K	●	GL1021-20W-830-W-100
			3400 lm	4000K	●	GL1021-20W-840-W-100
			3450 lm	5000K	●	GL1021-20W-850-W-100
		▲ 20°	3250 lm	3000K	●	GL1021-20W-830-W-200
			3350 lm	4000K	●	GL1021-20W-840-W-200
			3450 lm	5000K	●	GL1021-20W-850-W-200
		▲ 38°	3250 lm	3000K	●	GL1021-20W-830-W-380
			3280 lm	4000K	●	GL1021-20W-840-W-380
			3350 lm	5000K	●	GL1021-20W-850-W-380
>90	▲ 10°	2650 lm	3000K	●	GL1021-20W-930-W-100	
		2620 lm	3000K	●	GL1021-20W-930-W-200	
		2540 lm	3000K	●	GL1021-20W-930-W-380	

Technical Data test pattern

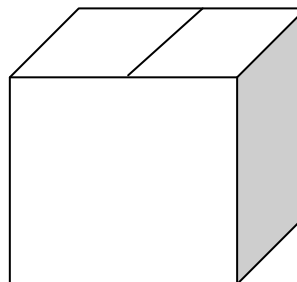
20W	CRI>80			CRI>90	
	LED			Luminaire	
Power	12.5W			20W	
Current	360mA			500mA	
Flux	1770lm	1826lm	1850lm	1949lm	2179lm
CCT	3000K	4000K	5000K	3000K	4000K
Color tolerance	3 SDCM			3 SDCM	
Service life	>50000Hrs			>50000Hrs	
Beam Angle	120°			10°\20°\38°	
Typical Efficiency				88%	
Efficacy(lm/W)	141	146	148	97	109



Packaging:

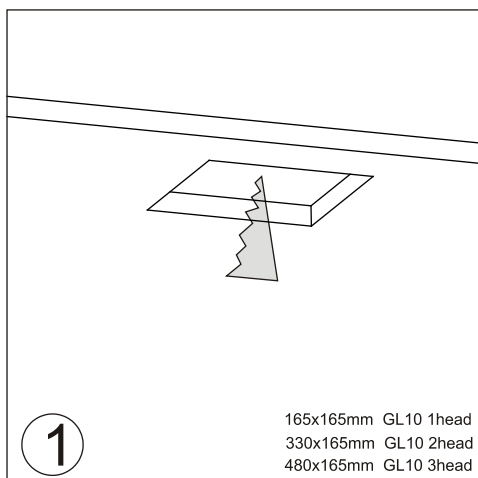


**Box**  
 L375\*W210\*H170mm  
 1pc/box  
 GW: 2.0kg/box

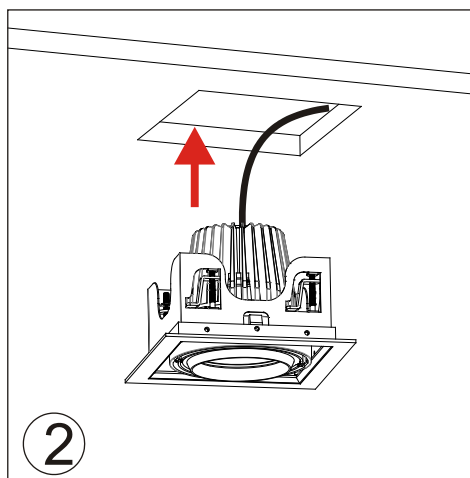


**Outer carton**  
 L450\*W400\*H360mm  
 4pcs/box  
 GW: 9.5kg/carton

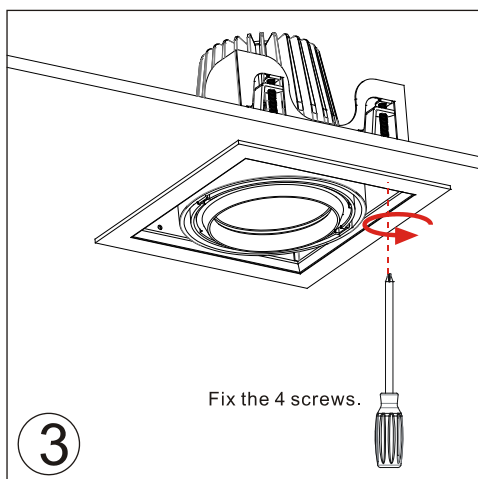
Installation instruction



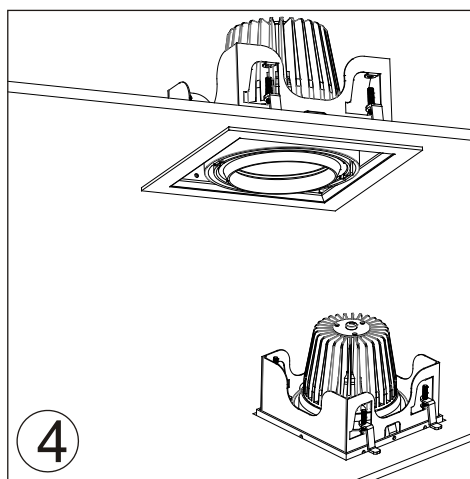
Ceiling Cut Hole



1, Connect Wire.  
2, Put the lamp into the cut hole.



Use the screw driver to tighten the screw.



Done.

Product naming system

**GL ( X ) XX X X - X - X XX - X - XX**

