

iGrid Series

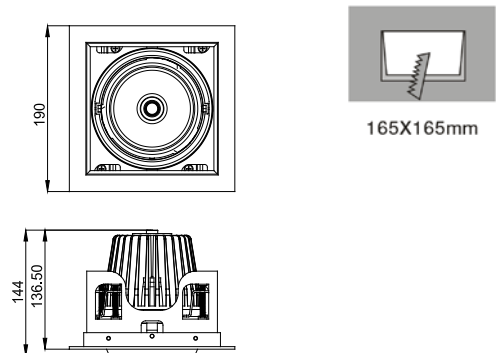
GL10-1X40W

Reflector



Technical Parameters:

| Name | Parameters |
|------------------------|--------------------|
| Light source: | COB |
| Input Voltage: | AC220~240V 50/60Hz |
| LED Current: | 1000mA (35-37V) |
| Rated life: | >50,000 hours |
| Operating temperature: | -20°C~40°C |
| Storage temperature: | -30°C~60°C |
| Certificate: | TUV/CE/RoHS |
| Dimmability: | Dimmable Optional |
| Weight: | 1.0KG |



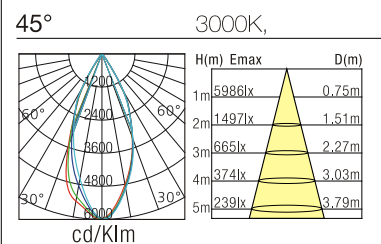
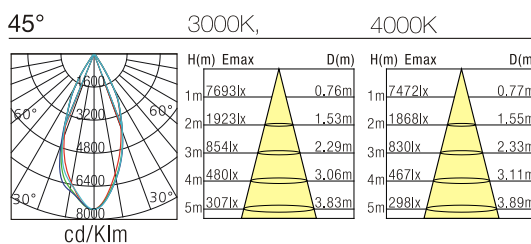
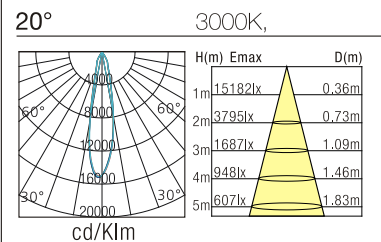
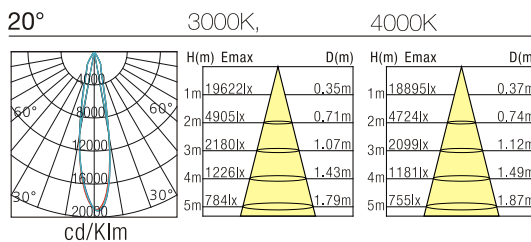
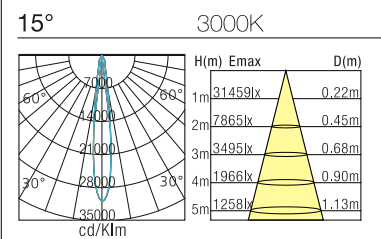
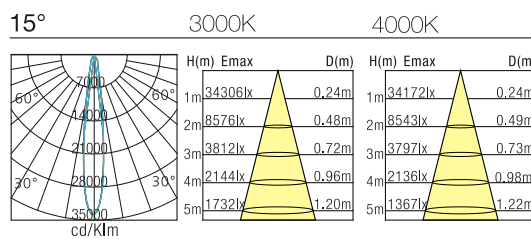
Ordering Information:

● White+Black

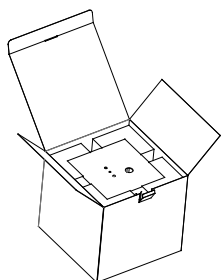
| Power | CRI | Beam Angle | Luminous | CCT | Housing | Part Number |
|-------|-------|------------|----------|-------|---------------------|---------------------|
| 1X40W | >80 | ▲ 15° | 4213 lm | 3000K | ● | GL1011-40W-830-W-15 |
| | | | 4330 lm | 4000K | ● | GL1011-40W-840-W-15 |
| | | | 4093 lm | 5000K | ● | GL1011-40W-850-W-15 |
| | >80 | ▲ 20° | 4256 lm | 3000K | ● | GL1011-40W-830-W-20 |
| | | | 4270 lm | 4000K | ● | GL1011-40W-840-W-20 |
| | | | 4026 lm | 5000K | ● | GL1011-40W-850-W-20 |
| | >80 | ▲ 45° | 4252 lm | 3000K | ● | GL1011-40W-830-W-45 |
| | | | 4274 lm | 4000K | ● | GL1011-40W-840-W-45 |
| | | | 3940 lm | 5000K | ● | GL1011-40W-850-W-45 |
| >90 | ▲ 15° | 3475 lm | 3000K | ● | GL1011-40W-930-W-15 | |
| | | 3375 lm | 3000K | ● | GL1011-40W-930-W-20 | |
| | | 3363 lm | 3000K | ● | GL1011-40W-930-W-45 | |

Technical Data test pattern

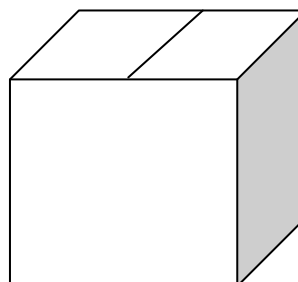
| 40W | CRI>80 | | | | | | CRI>90 | | | |
|--------------------|-----------|--------|--------|-------------|--------|--------|-----------|--|-------------|--|
| | LED | | | Luminaire | | | LED | | Luminaire | |
| Power | 24.9W | | | 41.4W | | | 24.9W | | 41.4W | |
| Current | 720mA | | | 1000mA | | | 720mA | | 1000mA | |
| Flux | 3586lm | 3697lm | 3794lm | 4213lm | 4330lm | 2962lm | 3363lm | | | |
| CCT | 3000K | 4000K | 5000K | 3000K | 4000K | 3000K | 3000K | | | |
| Color tolerance | 3 SDCM | | | | | | 3 SDCM | | | |
| Service life | >50000Hrs | | | >50,000Hrs | | | >50000Hrs | | >50,000Hrs | |
| Beam Angle | 120° | | | 15°\20°\45° | | | 120° | | 15°\20°\45° | |
| Typical Efficiency | | | | 85% | | | | | 85% | |
| Efficacy(lm/W) | 144 | 148 | 150 | 101 | 104 | 119 | 81 | | | |



Packaging:

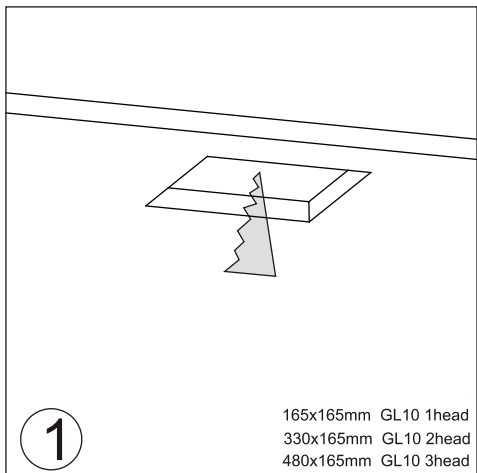


Box
L210*W210*H170mm
1pc/box
GW: 1.2kg/box

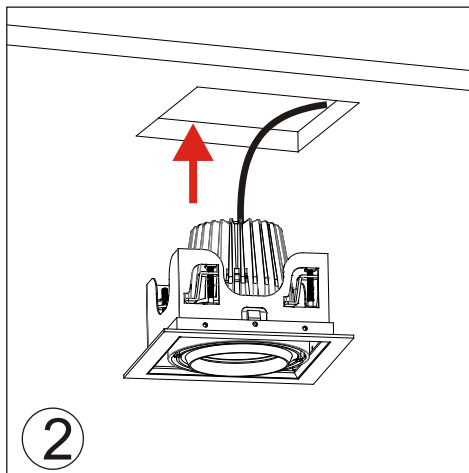


Outer carton
L450*W450*H360mm
8pcs/box
GW: 10.5kg/carton

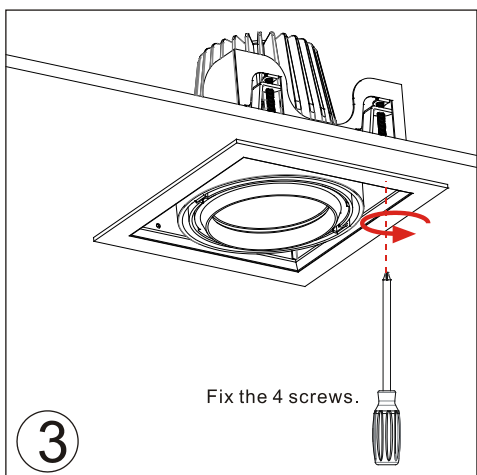
Installation instruction



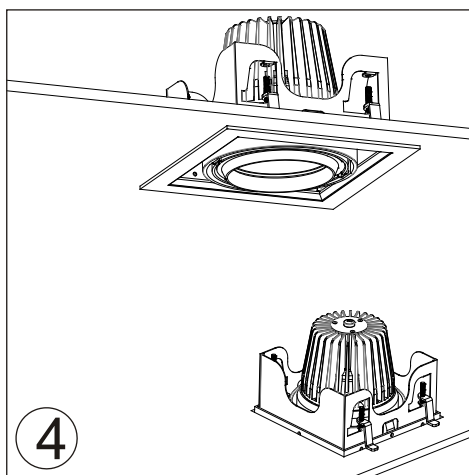
Ceiling Cut Hole



1, Connect Wire.
2, Put the lamp into the cut hole.



Use the screw driver to tighten the screw.



Done.

Product naming system

