

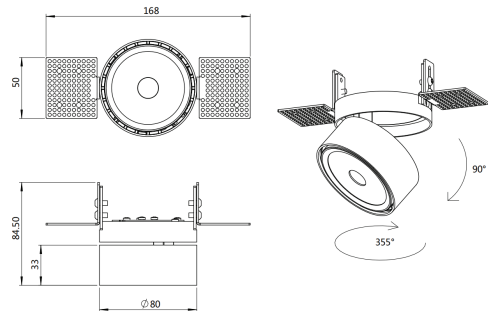
FLOW.IT Series

**DL32-S-15W**

optical lens

Technical Parameters:

Name	Parameters
Light source:	COB
Input Voltage:	AC220~240V 50/60Hz
LED Current:	350mA, 35-37V
Beam Angle:	12°/24°/36°/60°
Life Time:	> 50,000h - L80 - B10 (Ta 25° C)
Operating temperature:	-20°C~40°C
Certificate:	CE/RoHS
Weight:	0.45kg



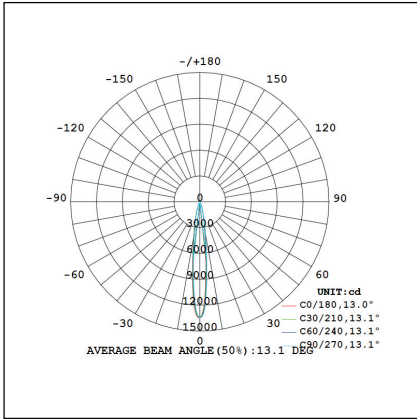
Ordering Information:

○ White

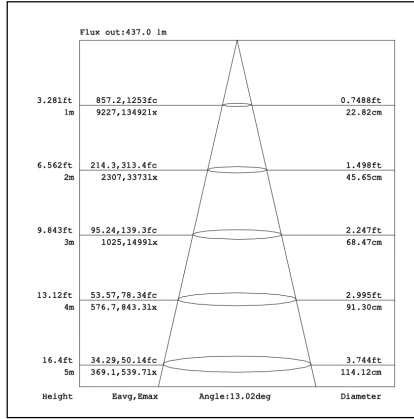
Power	CRI	Beam Angle	Luminous	CCT	Housing	Part Number
15W	>80	▲ 12°	1500 lm	3000K	○	DL321-15W-830-W-12-S
			1600 lm	4000K	○	DL321-15W-840-W-12-S
		▲ 24°	1480 lm	3000K	○	DL321-15W-830-W-24-S
			1580 lm	4000K	○	DL321-15W-840-W-24-S
		▲ 36°	1520 lm	3000K	○	DL321-15W-830-W-36-S
			1650 lm	4000K	○	DL321-15W-840-W-36-S
	>90	▲ 60°	1520 lm	3000K	○	DL321-15W-830-W-36-S
			1650 lm	4000K	○	DL321-15W-840-W-36-S
		▲ 12°	1266 lm	3000K	○	DL321-15W-930-W-12-S
			▲ 24°	1252 lm	3000K	○
		▲ 36°	1315 lm	3000K	○	DL321-15W-930-W-36-S
		▲ 60°	1320 lm	3000K	○	DL321-15W-930-W-60-S

Technical Data test pattern

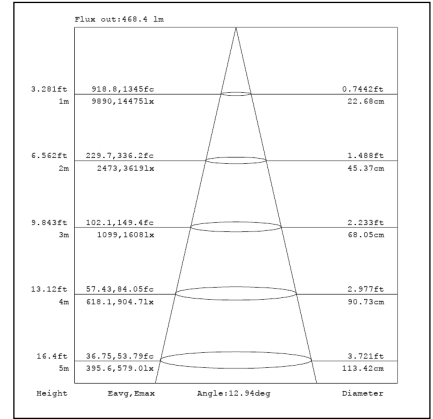
CRI80 12°



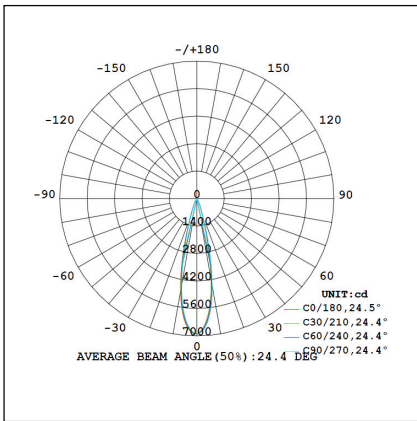
3000K



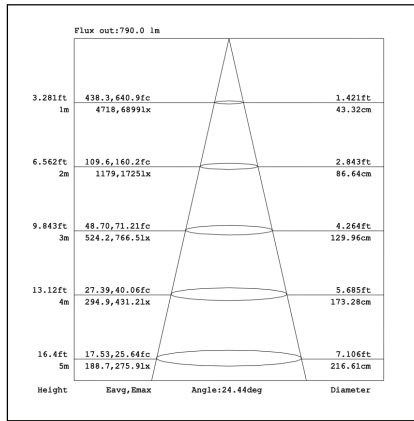
4000K



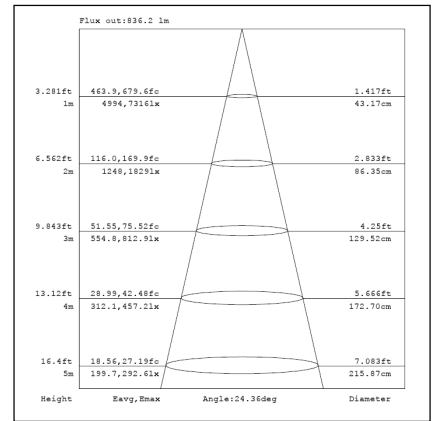
CRI80 24°



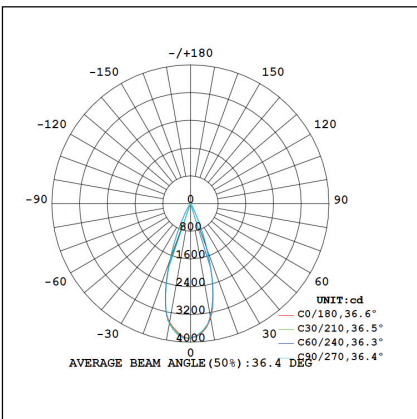
3000K



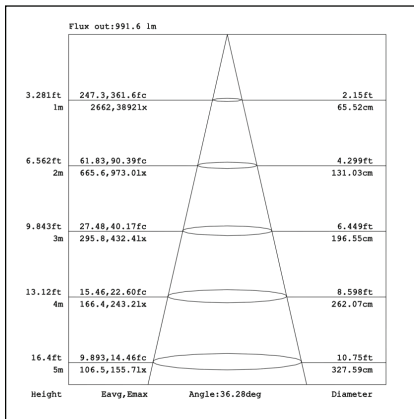
4000K



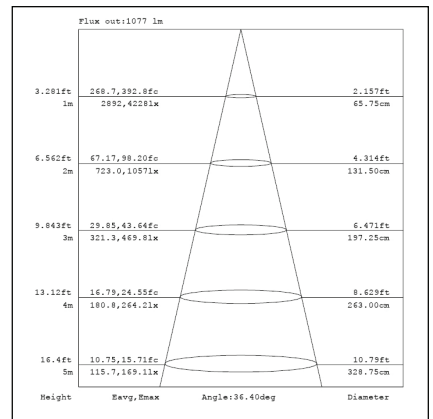
CRI80 36°



3000K



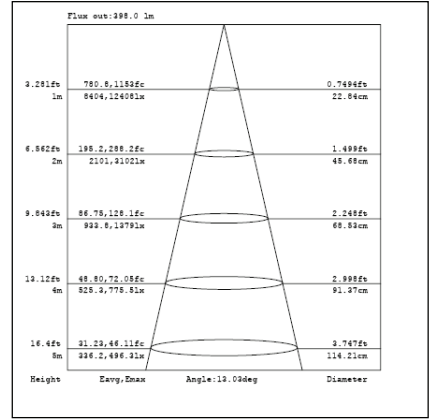
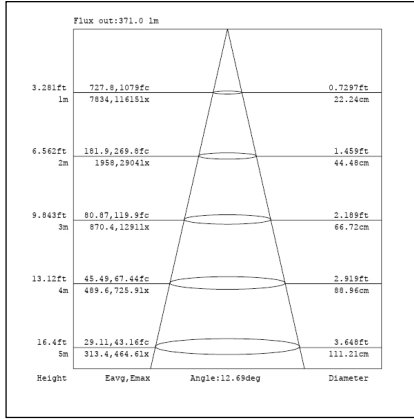
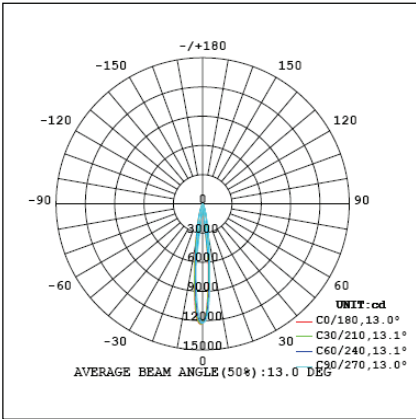
4000K



**CRI90 12°**

**3000K**

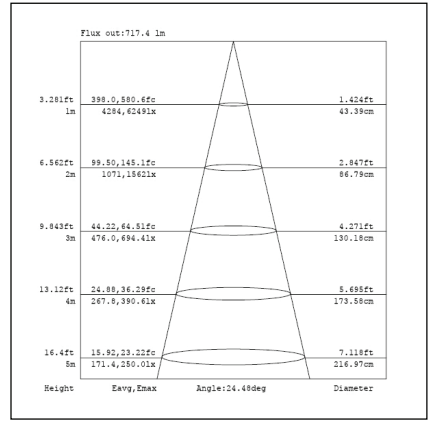
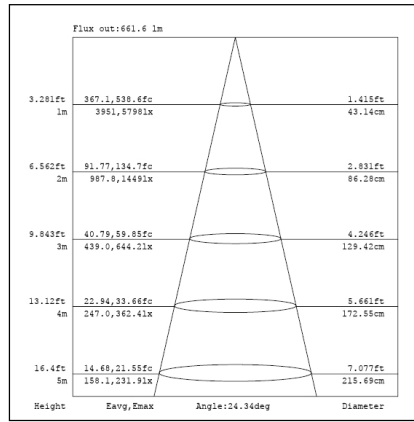
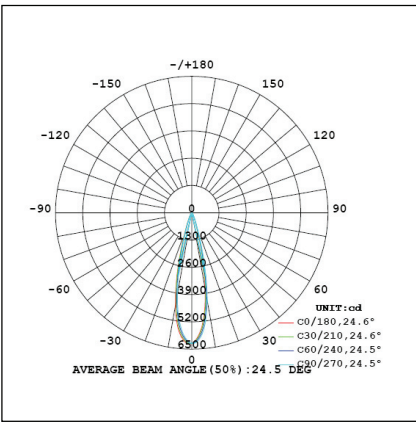
**4000K**



**CRI90 24°**

**3000K**

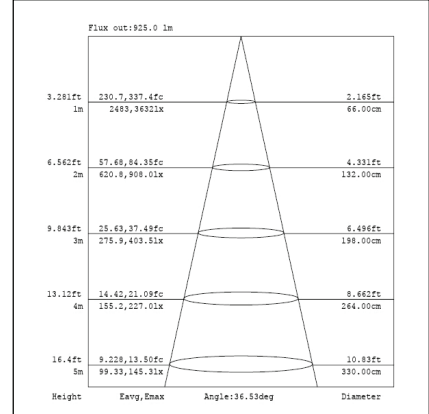
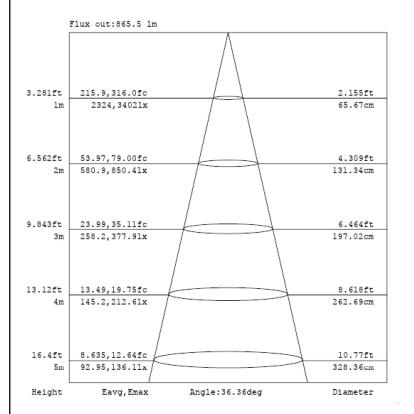
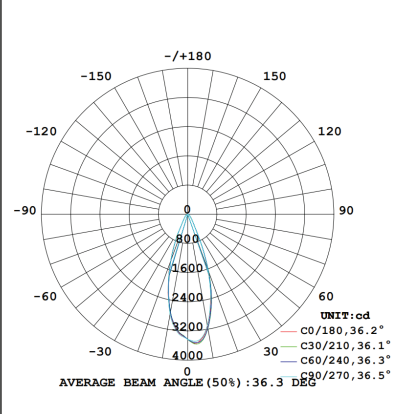
**4000K**



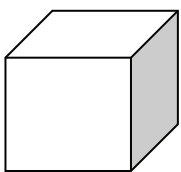
**CRI90 36°**

**3000K**

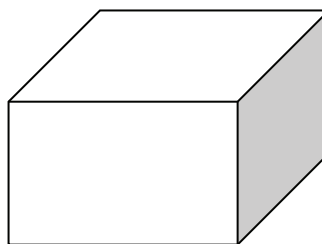
**4000K**



**Packaging:**

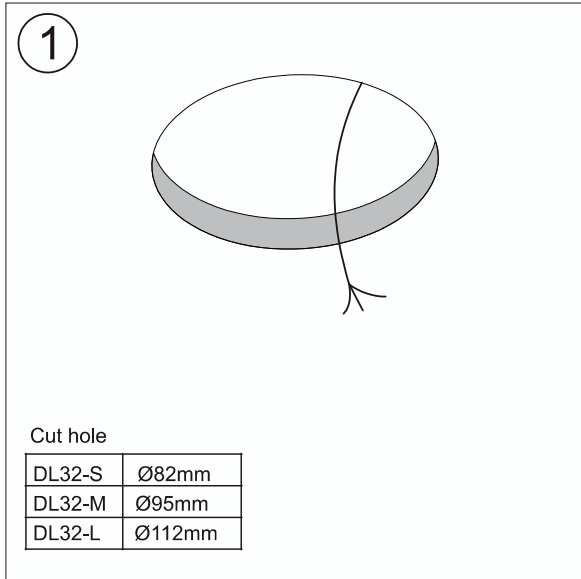


**Box**  
 L175\*W110\*H90mm  
 1pc/box  
 GW: 0.5kg/box

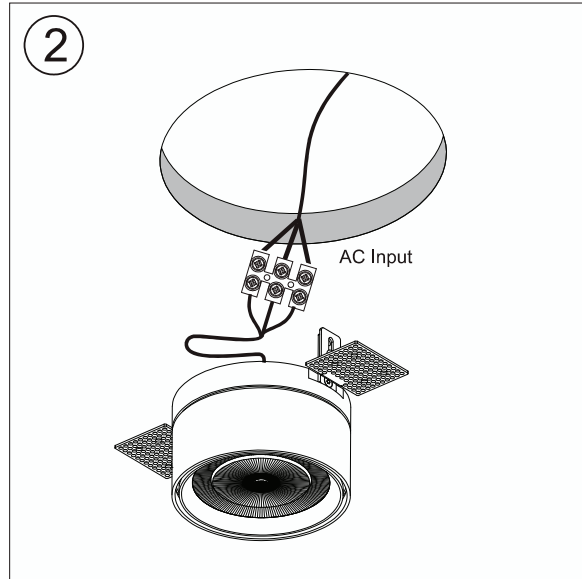


**Outer carton**  
 L580\*W390\*H300mm  
 30pcs/CTN  
 GW: 16.5kg/carton

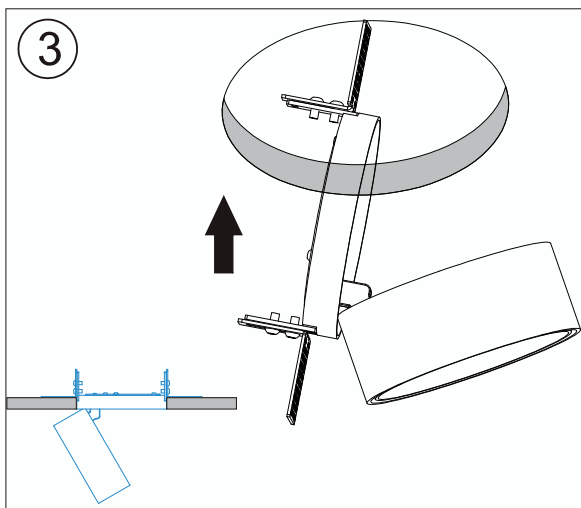
Installation instruction:



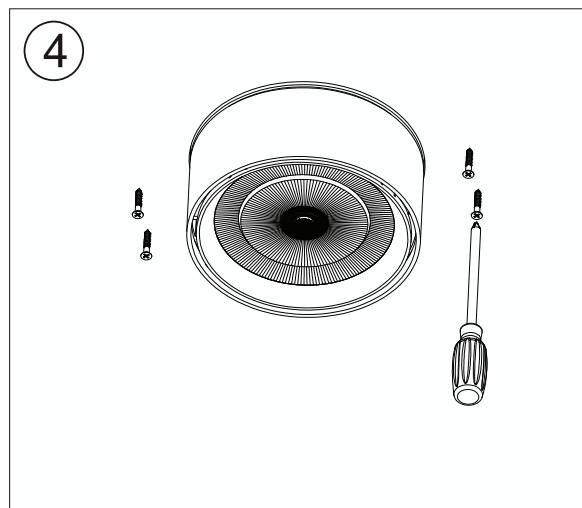
Cut hole



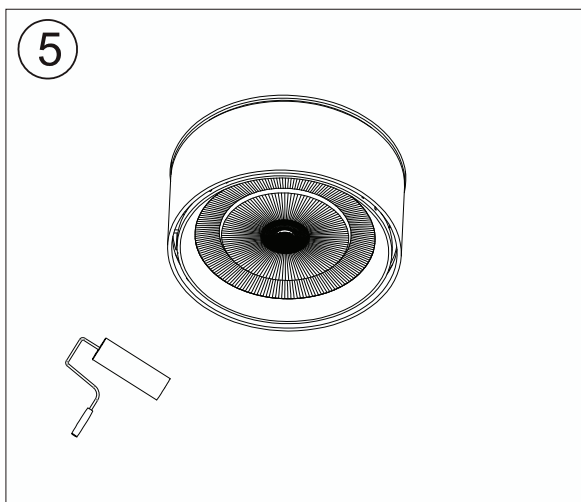
Connect Wire



Fix the outer frame



Fix the outer frame



Paint the ceiling

