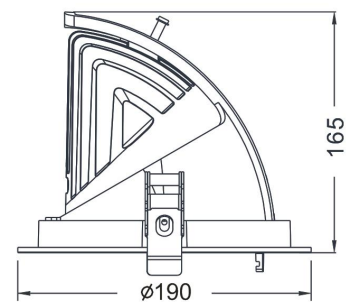


veraLite Series

**DL30-50W**

Optical Lens



Technical Parameters:

Name	Parameters
Light source:	COB
Input Voltage:	AC220~240V 50/60Hz
Current:	1300mA
Rated life:	>50,000 hours
Operating temperature:	-20°C~40°C
Storage temperature:	-30°C~60°C
Certificate:	CE/RoHS
Weight:	
Package(mm):	

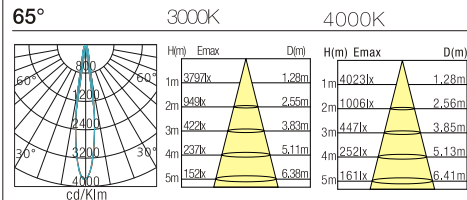
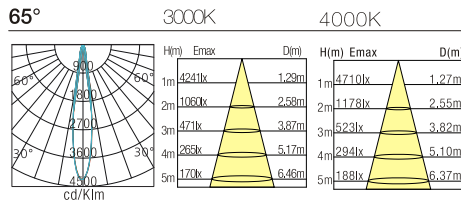
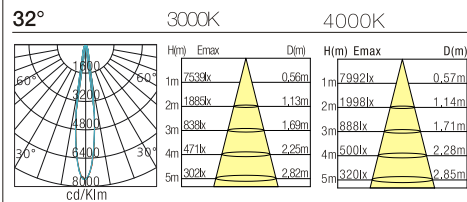
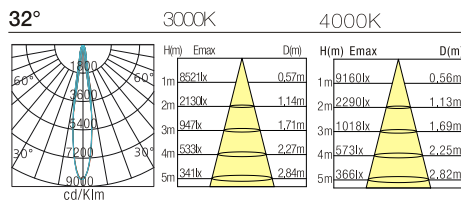
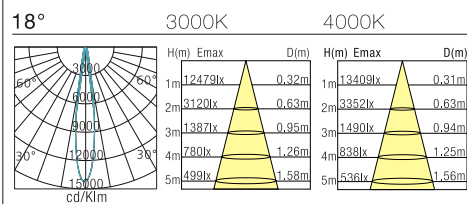
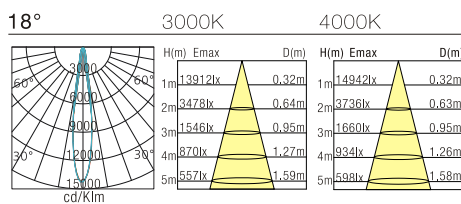
Ordering Information:

○ White

Power	CRI	Beam Angle	Luminous	CCT	Housing	Part Number	
50W	>80	▲ 18°	4882lm	3000K	○	DL301-50W-830-W-18	
			5176lm	4000K	○	DL301-50W-840-W-18	
		▲ 32°	4945lm	3000K	○	DL301-50W-830-W-32	
			5316lm	4000K	○	DL301-50W-840-W-32	
		▲ 65°	4886lm	3000K	○	DL301-50W-830-W-65	
			5349lm	4000K	○	DL301-50W-830-B-65	
	>90	▲ 18°		4242lm	3000K	○	DL301-50W-830-W-18
				4582lm	4000K	○	DL301-50W-840-W-18
		▲ 32°		4337lm	3000K	○	DL301-50W-830-W-32
				4638lm	4000K	○	DL301-50W-840-W-32
		▲ 65°		4322lm	3000K	○	DL301-50W-830-W-65
				4605lm	4000K	○	DL301-50W-830-B-65

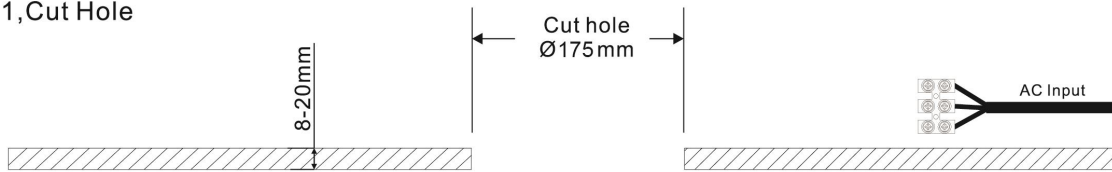
Technical Data test pattern

50W	CRI>80			CRI>90		
	LED			Luminaire		
Power	24.5W			48W		
Current	720mA			1300mA		
Flux	3612lm	3706lm	3749lm	4945lm	5349lm	
CCT	3000K	4000K	5000K	3000K	4000K	
Color tolerance	3 SDCM					
Service life	>50000Hrs			>50000Hrs		
Beam Angle	120°			18°\32°\65°		
Typical Efficiency				82%		
Efficacy (lm/W)	148	151	153	103	111	

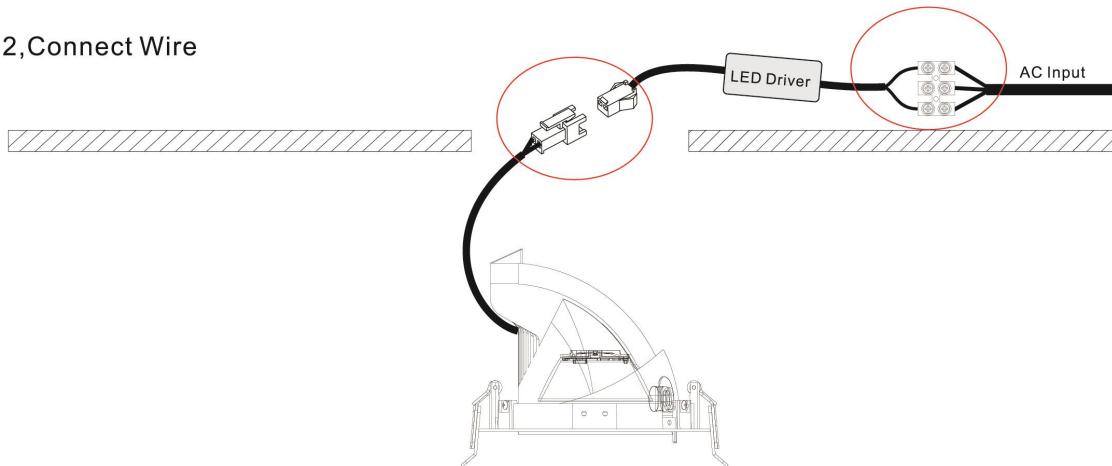


## Installation Instruction

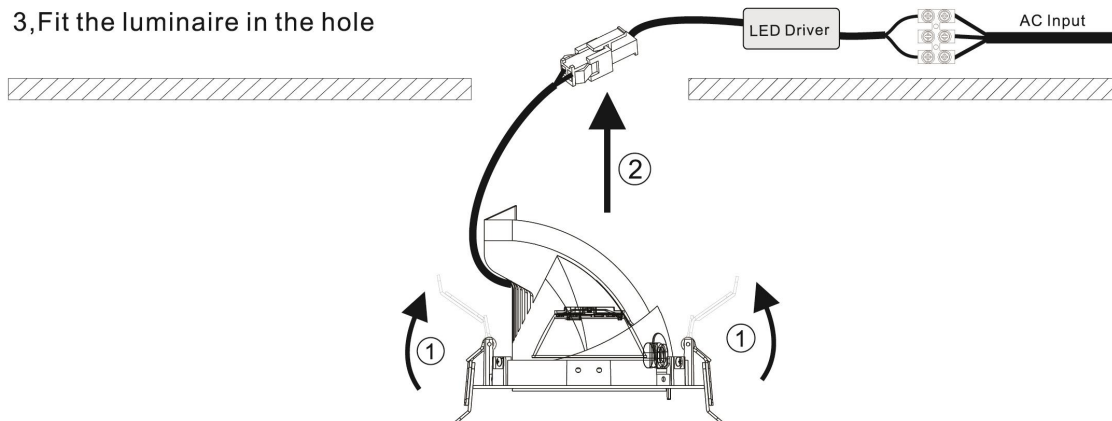
1, Cut Hole



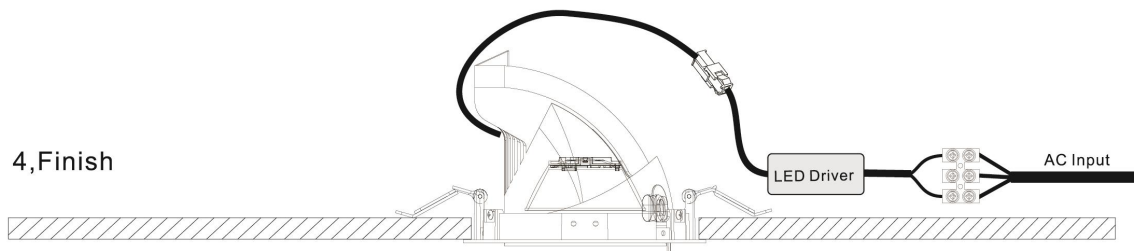
2, Connect Wire



3, Fit the luminaire in the hole



4, Finish



Product Nomenclature

**DL ( X ) XX X (H) – X – X XX – X- XX**

