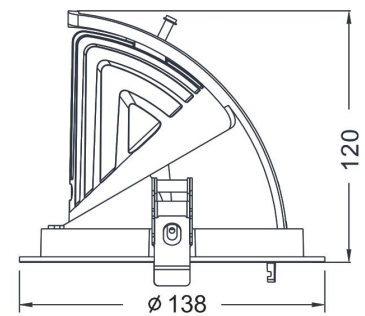


veraLite Series

DL28-30W

Optical Lens



Technical Parameters:

Name	Parameters
Light source:	COB
Input Voltage:	AC220~240V 50/60Hz
Current:	700mA
Rated life:	>50,000 hours
Operating temperature:	-20°C~40°C
Storage temperature:	-30°C~60°C
Certificate:	CE/RoHS
Weight:	
Package(mm):	

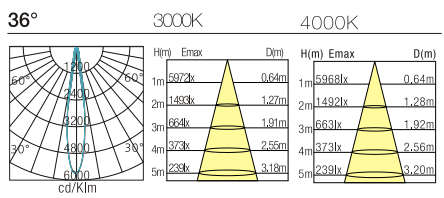
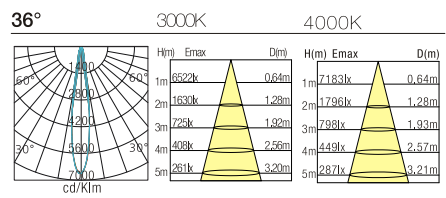
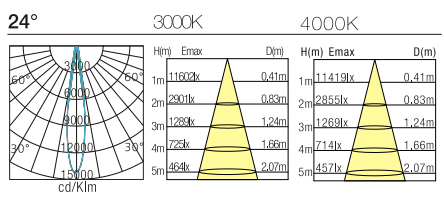
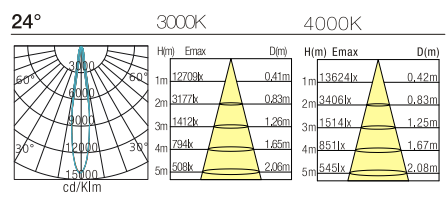
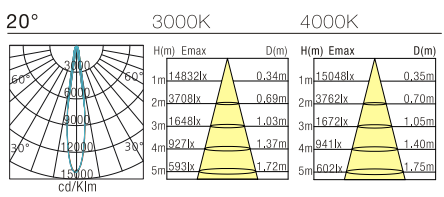
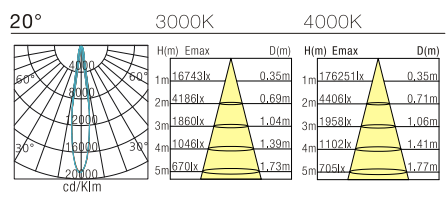
Ordering Information:

○ White

Power	CRI	Beam Angle	Luminous	CCT	Housing	Part Number
30W	>80	▲ 20°	2990lm	3000K	○	DL281-30W-830-W-20
			3250lm	4000K	○	DL281-30W-840-W-20
		▲ 24°	3025lm	3000K	○	DL281-30W-830-W-24
			3217lm	4000K	○	DL281-30W-840-W-24
		▲ 36°	2970lm	3000K	○	DL281-30W-830-W-36
			3285lm	4000K	○	DL281-30W-830-B-36
	>90	▲ 20°	2637lm	3000K	○	DL281-30W-830-W-20
			2737lm	4000K	○	DL281-30W-840-W-20
		▲ 24°	2670lm	3000K	○	DL281-30W-830-W-24
			2690 lm	4000K	○	DL281-30W-840-W-24
		▲ 36°	2695 lm	3000K	○	DL281-30W-830-W-36
			2728 lm	4000K	○	DL281-30W-830-B-36

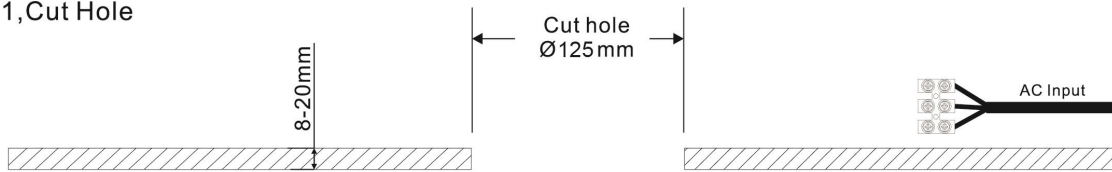
Technical Data test pattern

30W	CRI>80			CRI>90		
	LED			Luminaire		
Power	18.4W			30W		
Current	540mA			700mA		
Flux	2762lm	2834lm	2867lm	3025lm	3285lm	3402lm
CCT	3000K	4000K	5000K	3000K	4000K	4000K
Color tolerance	3 SDCM			3 SDCM		
Service life	>50000Hrs			>50000Hrs		
Beam Angle	120°			120°		
Typical Efficiency	82%			82%		
Efficacy (lm/W)	150	154	156	100	110	110

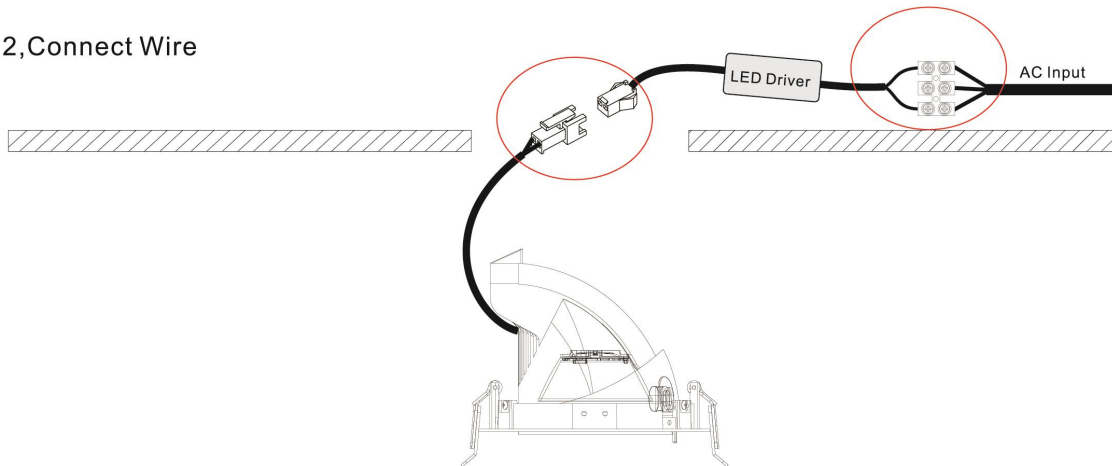


Installation Instruction

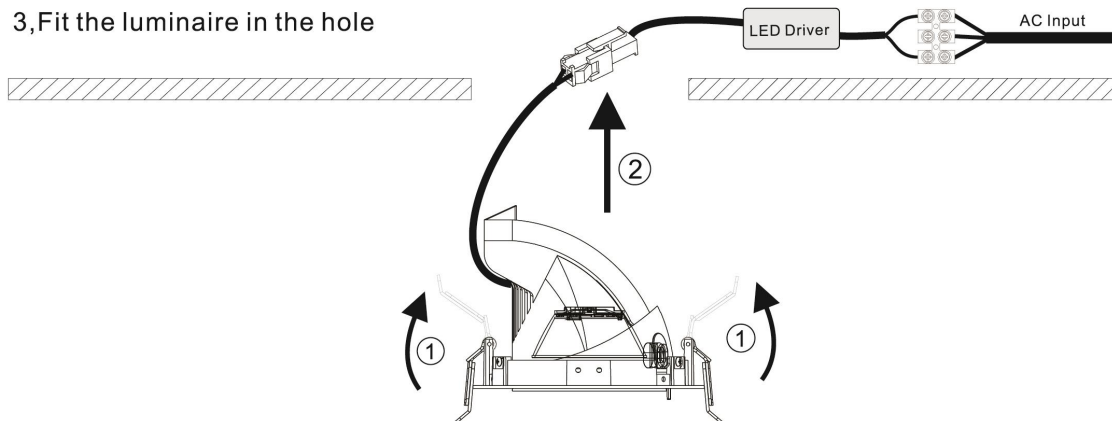
1, Cut Hole



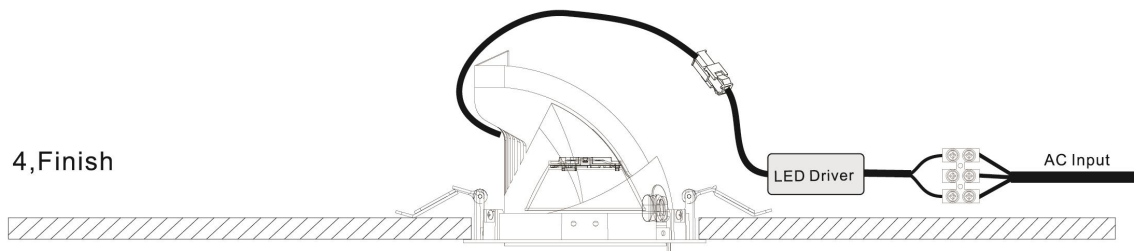
2, Connect Wire



3, Fit the luminaire in the hole



4, Finish



Product Nomenclature

DL (X) XX X (H) – X – X XX – X- XX

