

exLite Series

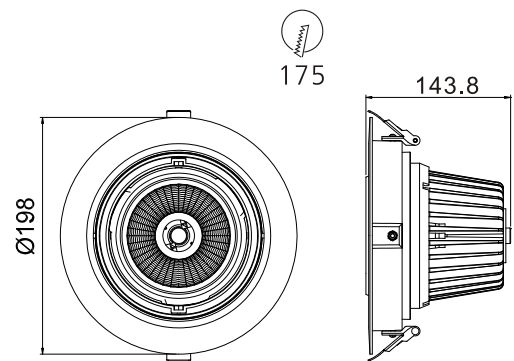
DL10(II)-40W

Reflector



Technical Parameters:

Name	Parameters
Light source:	COB
Input Voltage:	AC220~240V 50/60Hz
LED Current:	1000mA (35-37V)
Rated life:	>50,000 hours
Operating temperature:	-20°C ~40°C
Storage temperature:	-30°C ~60°C
Certificate:	TUV/CE/RoHS
Dimmability:	Dimmable Optional
Weight:	1.2KG



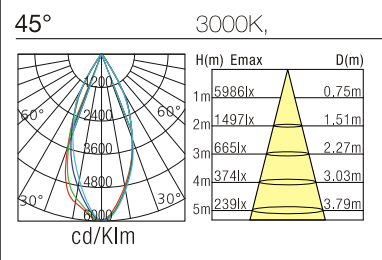
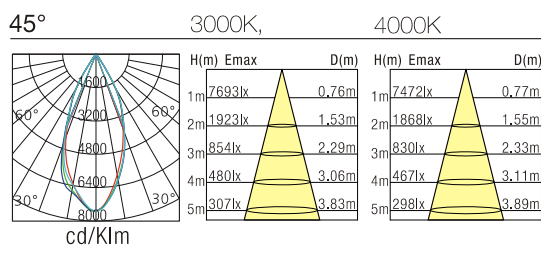
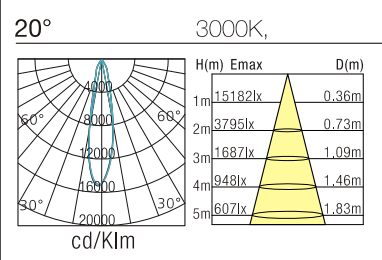
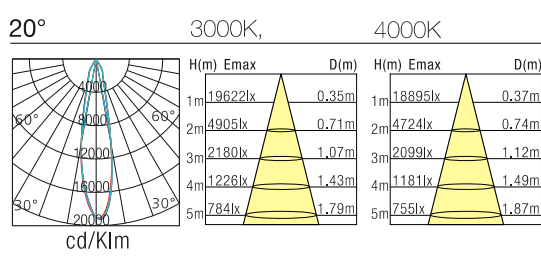
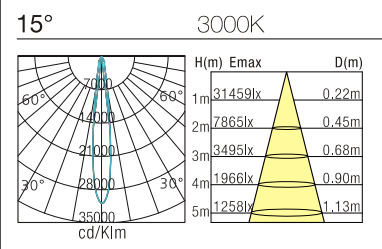
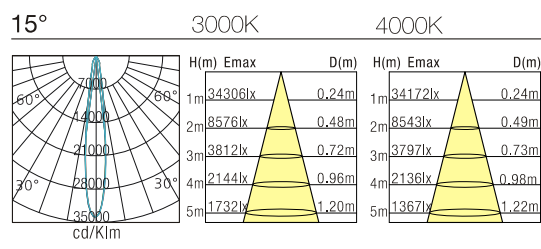
Ordering Information:

● White+Black

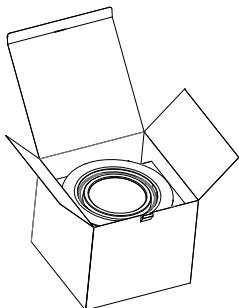
Power	CRI	Beam Angle	Luminous	CCT	Housing	Part Number
40W	>80	▲ 15°	4213 lm	3000K	●	DL101-40W-830-W-15-02
			4330 lm	4000K	●	DL101-40W-840-W-15-02
			4567 lm	5000K	●	DL101-40W-850-W-15-02
		▲ 20°	4256 lm	3000K	●	DL101-40W-830-W-20-02
			4270 lm	4000K	●	DL101-40W-840-W-20-02
			4484 lm	5000K	●	DL101-40W-850-W-20-02
	▲ 45°	4252 lm	3000K	●	DL101-40W-830-W-45-02	
		4274 lm	4000K	●	DL101-40W-840-W-45-02	
		4488 lm	5000K	●	DL101-40W-850-W-45-02	
	>90	▲ 15°	3475 lm	3000K	●	DL101-40W-930-W-15-02
			3649 lm	4000K	●	DL101-40W-940-W-15-02
			3375 lm	3000K	●	DL101-40W-930-W-20-02
▲ 20°		3544 lm	4000K	●	DL101-40W-940-W-20-02	
		▲ 45°	3363 lm	3000K	●	DL101-40W-930-W-45-02
			3531 lm	4000K	●	DL101-40W-940-W-45-02

Technical Data test pattern

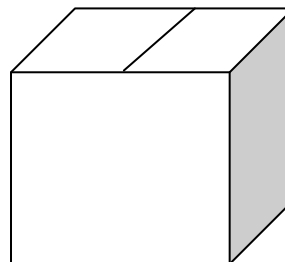
40W	CRI>80			Luminaire		CRI>90			Luminaire	
	LED					LED				
Power	24.9W			41.4W		24.9W		41.4W		
Current	720mA			1000mA		720mA		1000mA		
Flux	3586lm	3697lm	3794lm	4213lm 4330lm		2962lm		3363lm		
CCT	3000K	4000K	5000K	3000K 4000K		3000K		3000K		
Color tolerance	3 SDCM					3 SDCM				
Service life	>50000Hrs			>50,000Hrs		>50000Hrs		>50,000Hrs		
Beam Angle	120°			15°\20°\45°		120°		15°\20°\45°		
Typical Efficiency				85%					85%	
Efficacy(lm/W)	144	148	150	101 104		119		81		



Packaging:



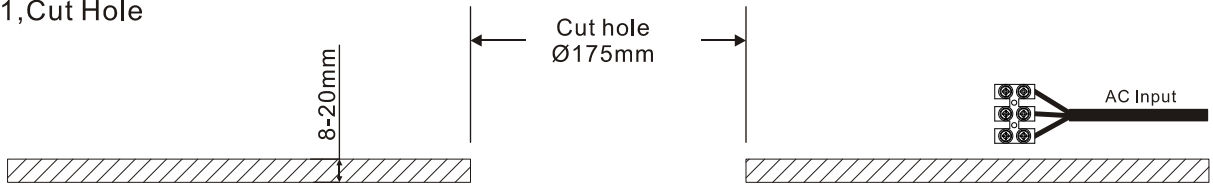
Box
 L210*W210*H190mm
 1pc/box
 GW: 1.65kg/box (With non-dimmable driver)
 1.70kg/box (With Triac dimmable)



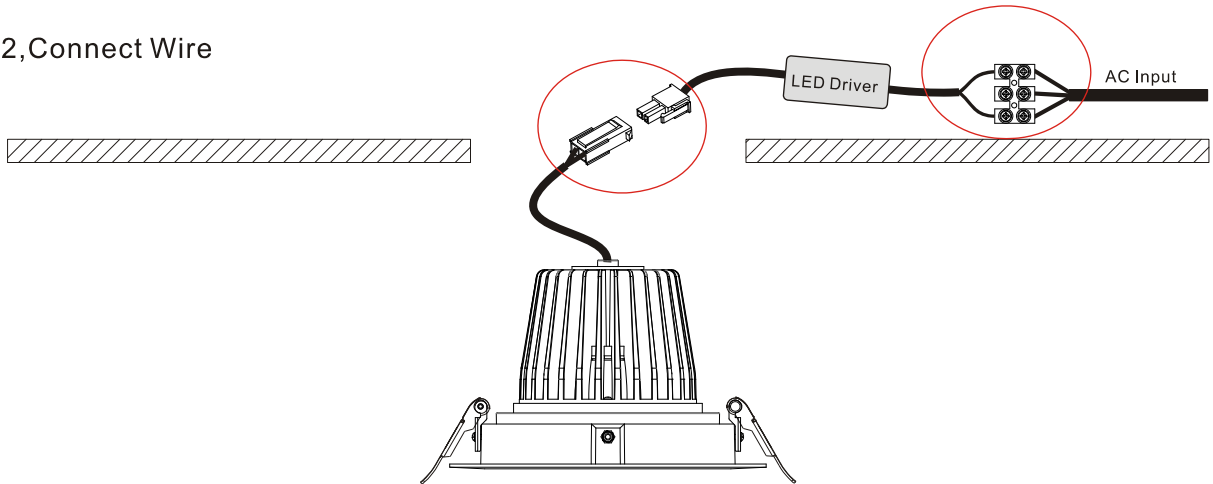
Outer carton
 L450xW450xH410mm
 8pcs/CTN
 GW: 14.5kg/carton (With non-dimmable driver)
 15kg/carton (With Triac dimmable driver)

Installation instruction

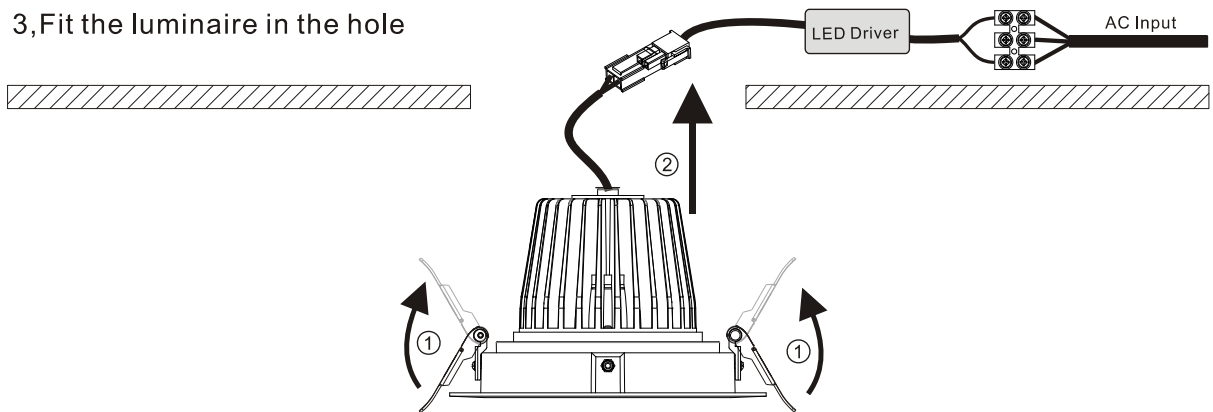
1, Cut Hole



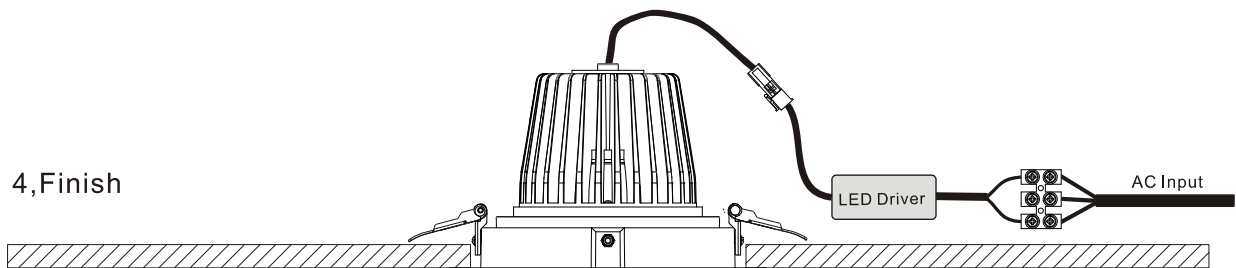
2, Connect Wire



3, Fit the luminaire in the hole



4, Finish



Product naming system

