

exLite Series

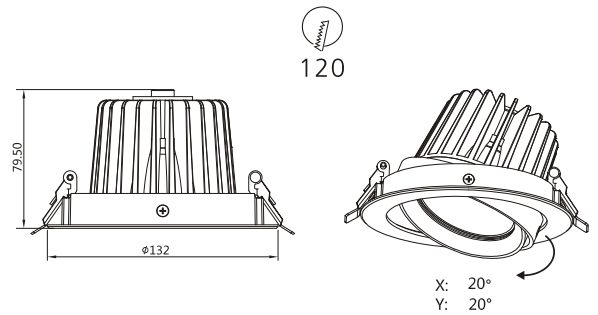
DL08-20W

Optical lens+Reflector



Technical Parameters:

Name	Parameters
Light source:	COB
Input Voltage:	AC220~240V 50/60Hz
LED Current:	500mA (35-37V)
Rated life:	>50,000 hours
Operating temperature:	-20°C~40°C
Storage temperature:	-30°C~60°C
Certificate:	TUV/CE/RoHS
Dimmability:	Dimmable Optional
Weight:	0.5KG



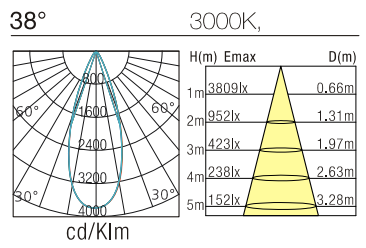
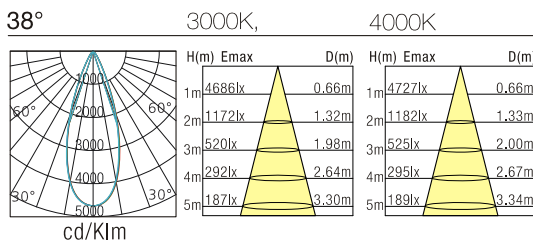
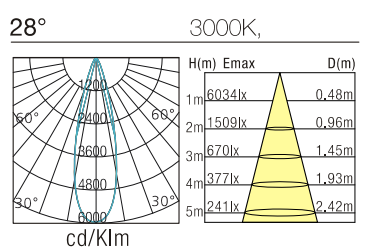
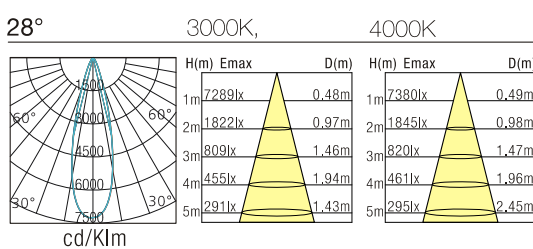
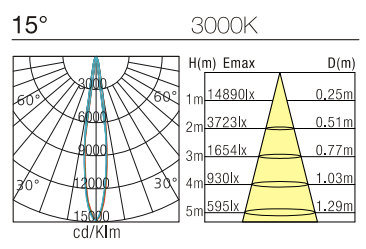
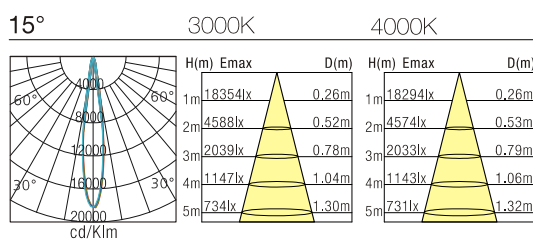
Ordering Information:

● White+Black

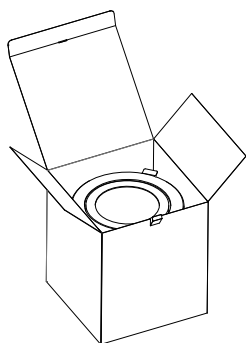
Power	CRI	Beam Angle	Luminous	CCT	Housing	Part Number
20W	>80	▲ 15°	2154 lm	3000K	●	DL081-20W-830-W-15-02
			2211 lm	4000K	●	DL081-20W-840-W-15-02
			2321 lm	5000K	●	DL081-20W-850-W-15-02
		▲ 28°	2141 lm	3000K	●	DL081-20W-830-W-28-02
			2208 lm	4000K	●	DL081-20W-840-W-28-02
			2318 lm	5000K	●	DL081-20W-850-W-28-02
	>90	▲ 38°	2115 lm	3000K	●	DL081-20W-830-W-38-02
			2178 lm	4000K	●	DL081-20W-840-W-38-02
			2287 lm	5000K	●	DL081-20W-850-W-38-02
		▲ 15°	1711 lm	3000K	●	DL081-20W-930-W-15-02
			1797 lm	4000K	●	DL081-20W-940-W-15-02
			▲ 28°	1748 lm	3000K	●
1835 lm	4000K	●		DL081-20W-940-W-28-02		
▲ 38°	1411 lm	3000K		●	DL081-20W-930-W-38-02	
	1482 lm	4000K	●	DL081-20W-940-W-38-02		

Technical Data test pattern

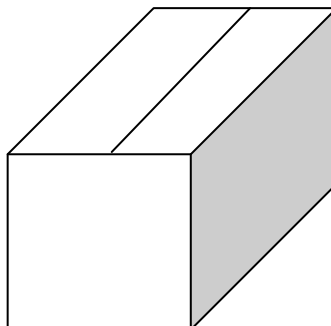
20W	CRI>80				CRI>90		
	LED			Luminaire		LED	Luminaire
Power	12.5W			19.5W		12.5W	20W
Current	360mA			500mA		360mA	500mA
Flux	1770lm	1826lm	1850lm	2141lm	2208lm	1463lm	1711lm
CCT	3000K	4000K	5000K	3000K	4000K	3000K	3000K
Color tolerance	3 SDCM					3 SDCM	
Service life	>50000Hrs			>50,000Hrs		>50000Hrs	>50,000Hrs
Beam Angle	120°			15°/28°/38°		120°	15°/28°/38°
Typical Efficiency				88%			88%
Efficacy(lm/W)	141	146	148	109	113	117	85



Packaging:



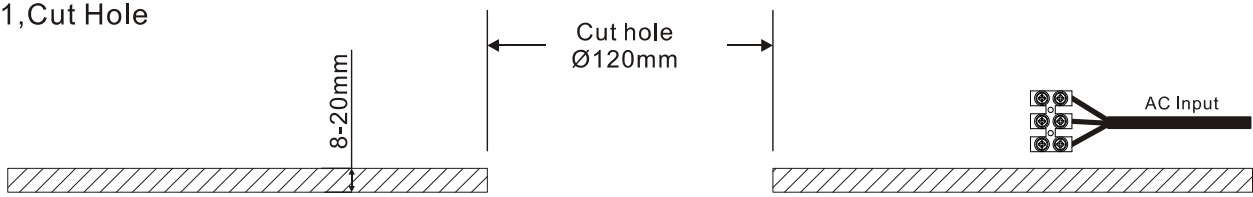
Box
 L140*W140*H160mm
 1pc/box
 GW: 0.7kg/box



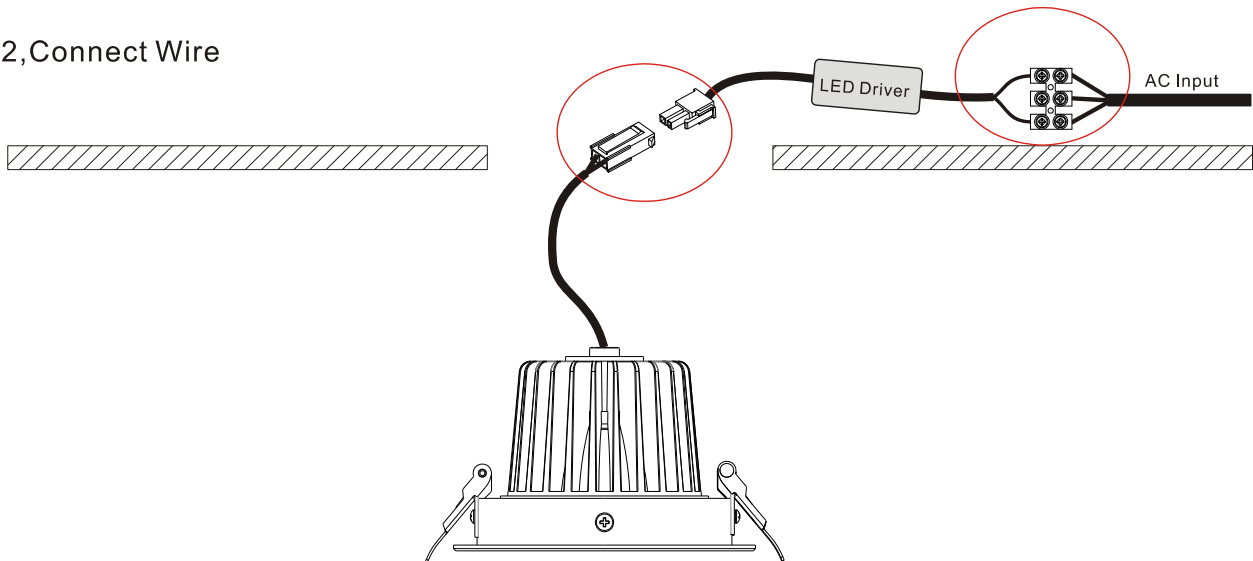
Outer carton
 L730*W310*H350mm
 20pcs/CTN
 GW: 15kg/carton

Installation instruction

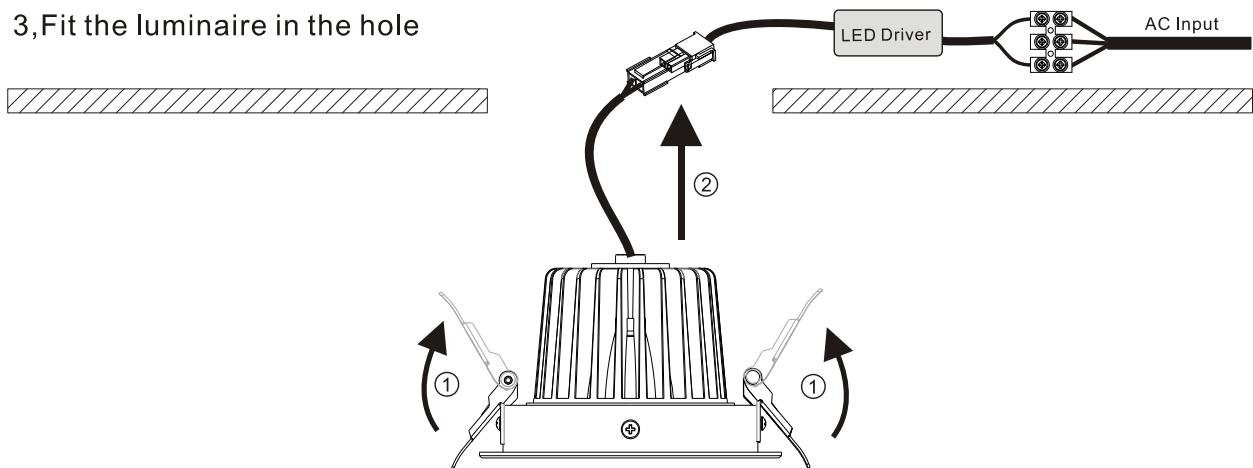
1, Cut Hole



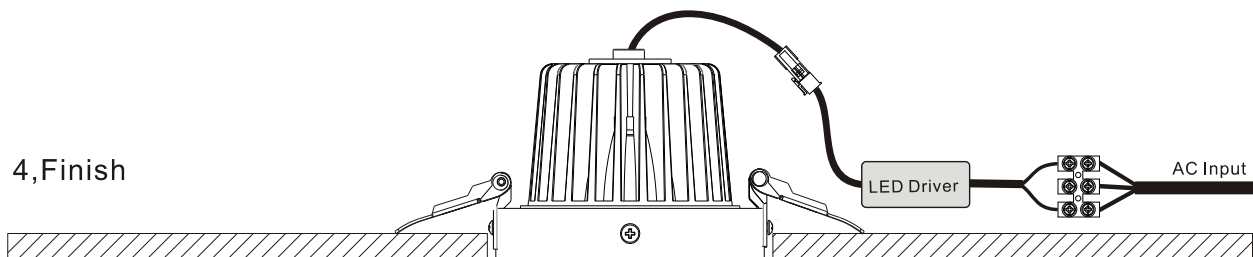
2, Connect Wire



3, Fit the luminaire in the hole



4, Finish



Product naming system

DL (X) XX X (H) – XW – X XX – X- XX

