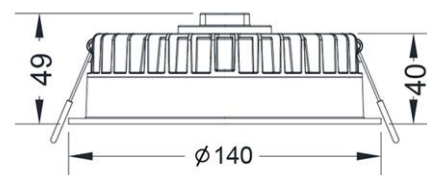


Combolite Series

BL30-10W





Technical Parameters:

Name	Parameters
Light source:	2835 SMD (144pcs)
Input Voltage:	AC220~240V 50/60Hz
LED Current:	350mA/24V
Rated life:	>50,000 hours
Operating temperature:	-20℃~40℃
Storage temperature:	-30℃~60℃
Certificate:	
Dimmability:	Dimmable Optional
Weight:	



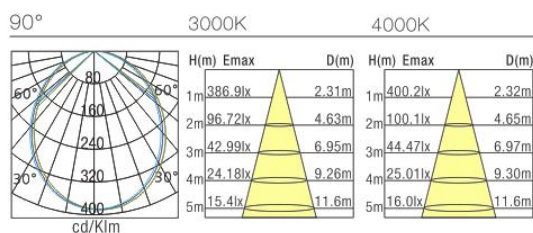
Ordering Information:

● White+Black

Power	CRI	Beam Angle	Luminous	CCT	Housing	Part Number
10W	>80	 90°	968 lm	3000K		BL302-10W-830-W-90
			1000 lm	4000K		BL302-10W-840-W-90
			1050 lm	5000K		BL302-10W-850-W-90

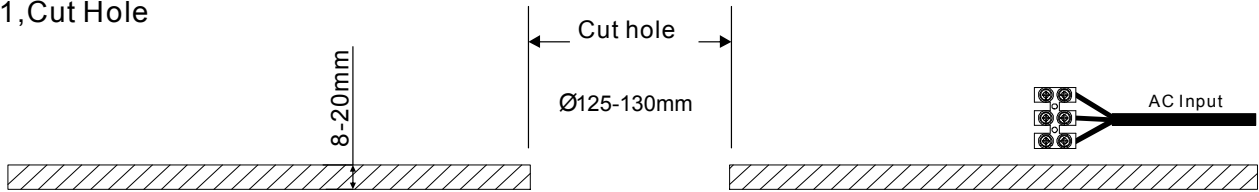
Technical Data test pattern

	BL30-10W CRI>80	
	LED	Luminaire
Power	56x0.2W	10W
Current	420mA,24V(7B8C)	350mA
Luminous Flux		968lm 1000lm
CCT	3000K 4000K	3000K 4000K
Color tolerance		
Service life	>50,000Hrs	
Beam Angle	120°	90°
Typical Efficiency		86%
Efficacy(lm/W)		101 104

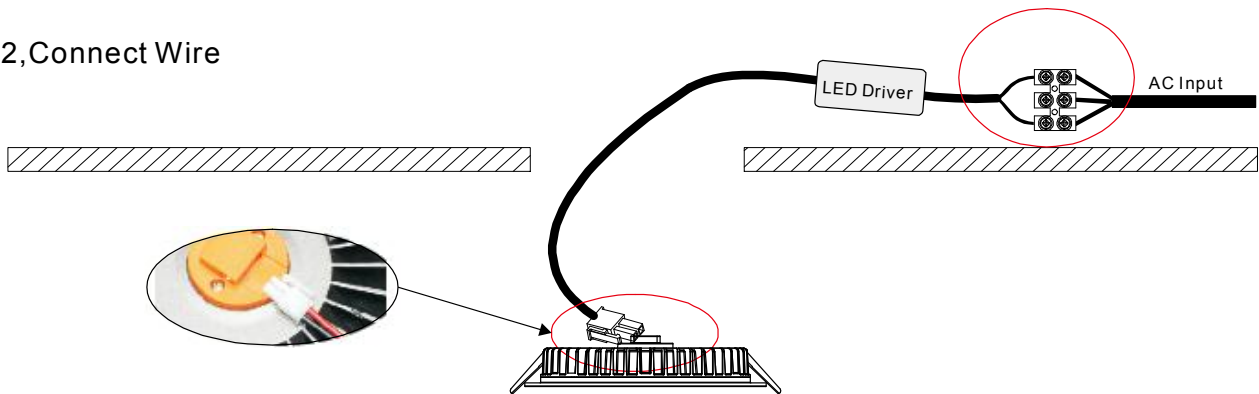


Installation instruction

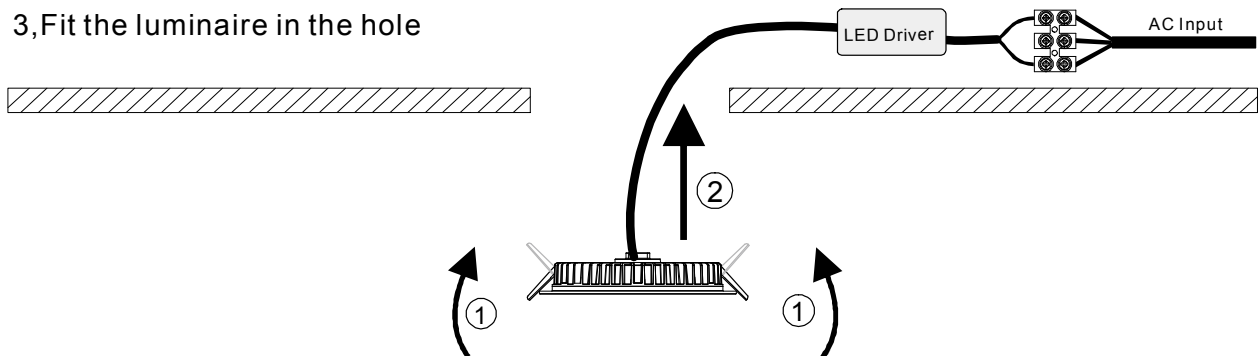
1, Cut Hole



2, Connect Wire



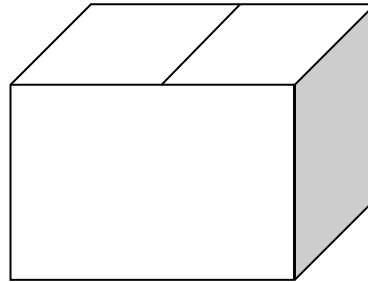
3, Fit the luminaire in the hole



4, Finish



Packaging:



Product naming system

