

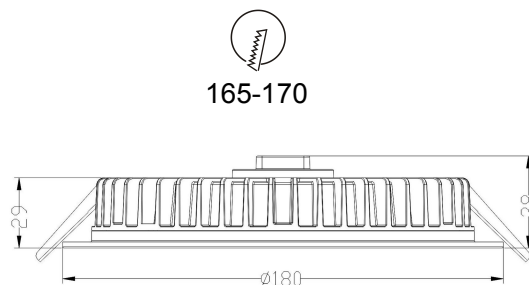
Combolite Series

BL28-20W



Technical Parameters:

Name	Parameters
Light source:	2835 SMD (108pcs)
Input Voltage:	AC220~240V 50/60Hz
LED Current:	500mA (36V)
Rated life:	>50,000 hours
Operating temperature:	-20°C~40°C
Storage temperature:	-30°C~60°C
Certificate:	
Dimmability:	Dimmable Optional
Weight:	0.55KG



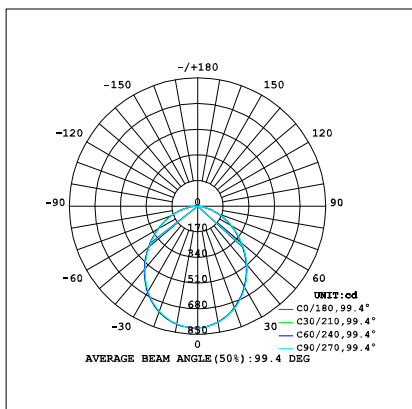
Ordering Information:

White+Black

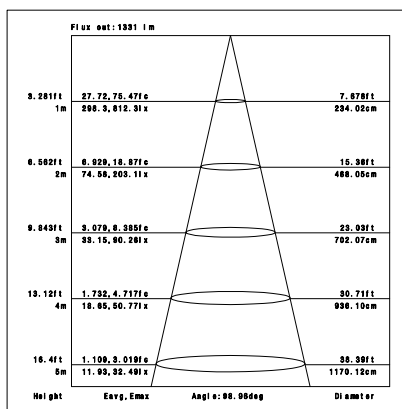
Power	CRI	Beam Angle	Luminous	CCT	Housing	Part Number
20W	>80	90°	2050 lm	3000K		B282-20W-830-W-90
			2120 lm	4000K		B282-20W-840-W-90

Technical Data test pattern

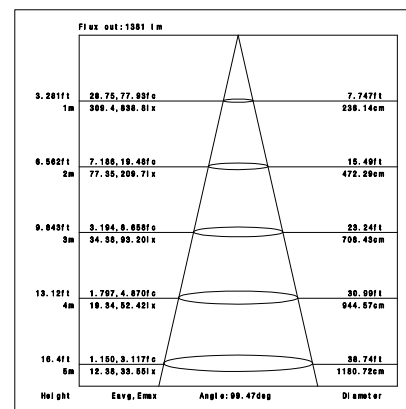
CRI80 90°



3000K

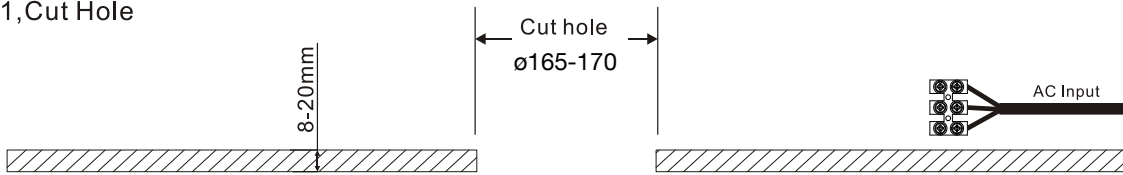


4000K

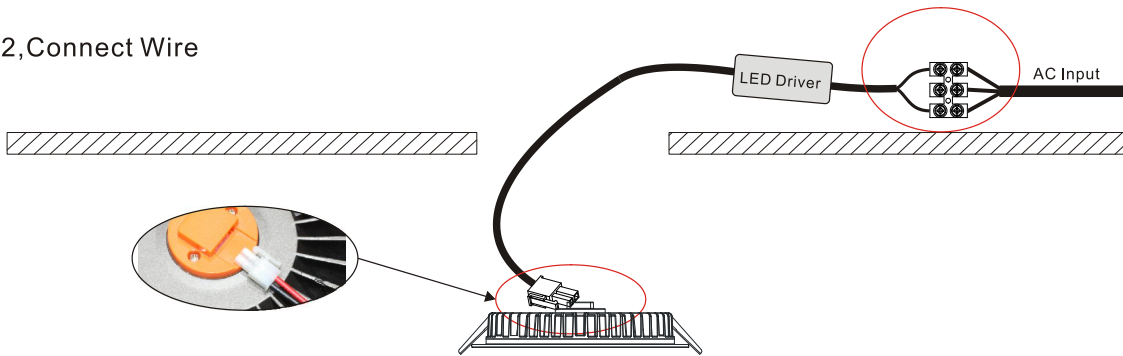


Installation instruction

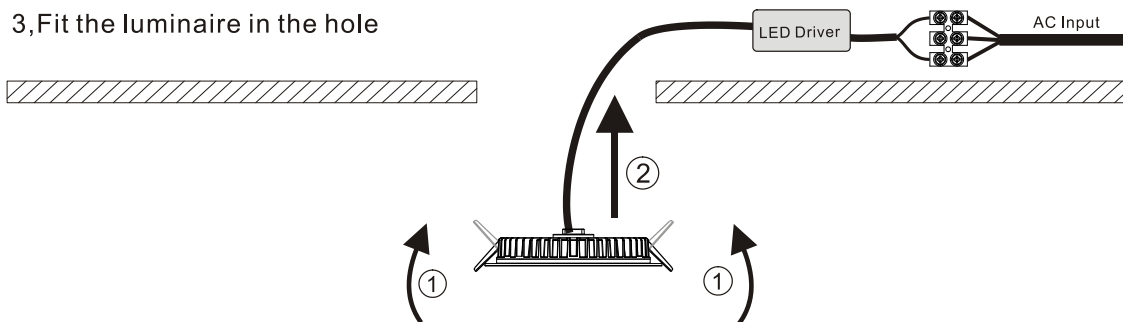
1, Cut Hole



2, Connect Wire



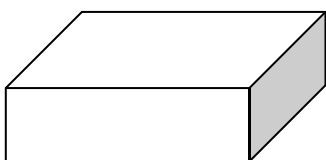
3, Fit the luminaire in the hole



4, Finish



Packaging:

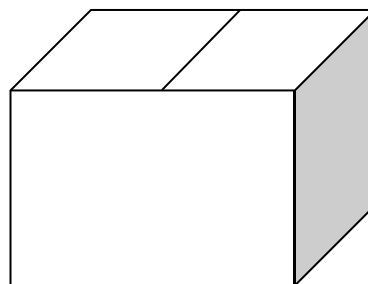


Box

L230*W230*H68mm

1pc/box

GW: 0.65kg/box



Outer carton

L470*W470*H450mm

24pcs/CTN

GW: 16.5kg/carton

Product naming system

