

Combolite Series

BL26-8W

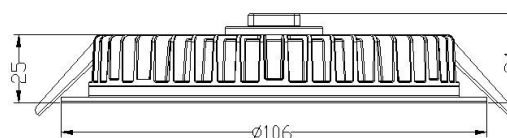


Technical Parameters:

| Name | Parameters |
|------------------------|--------------------|
| Light source: | 2835 SMD (42pcs) |
| Input Voltage: | AC220~240V 50/60Hz |
| LED Current: | 350mA (18V) |
| Rated life: | >50,000 hours |
| Operating temperature: | -20°C~40°C |
| Storage temperature: | -30°C~60°C |
| Certificate: | |
| Dimmability: | Dimmable Optional |
| Weight: | 0.2KG |



90-95



Ordering Information:

White+Black

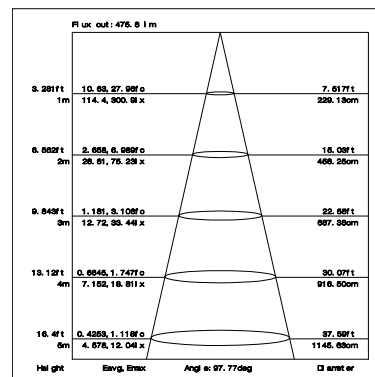
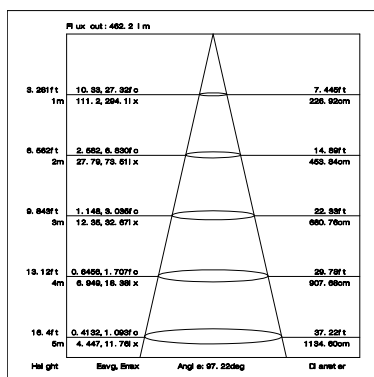
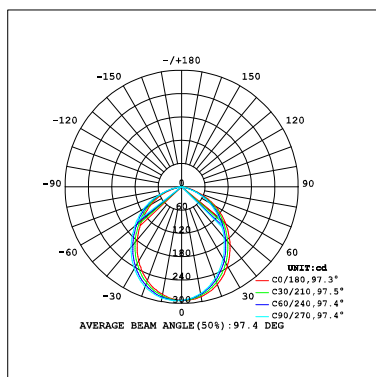
| Power | CRI | Beam Angle | Luminous | CCT | Housing | Part Number |
|-------|-----|------------|----------|-------|---------|------------------|
| 8W | >80 | 90° | 700 lm | 3000K | ☾ | B262-8W-830-W-90 |
| | | | 720 lm | 4000K | ☾ | B262-8W-840-W-90 |

Technical Data test pattern

CRI80 90°

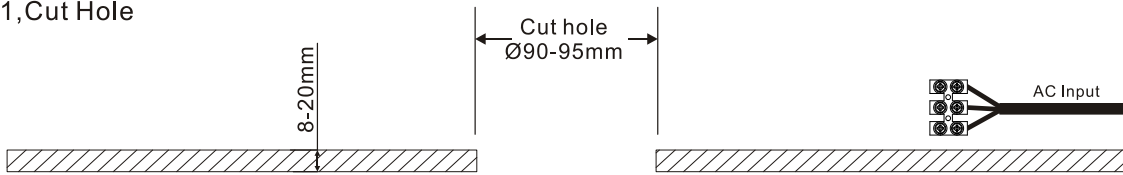
3000K

4000K

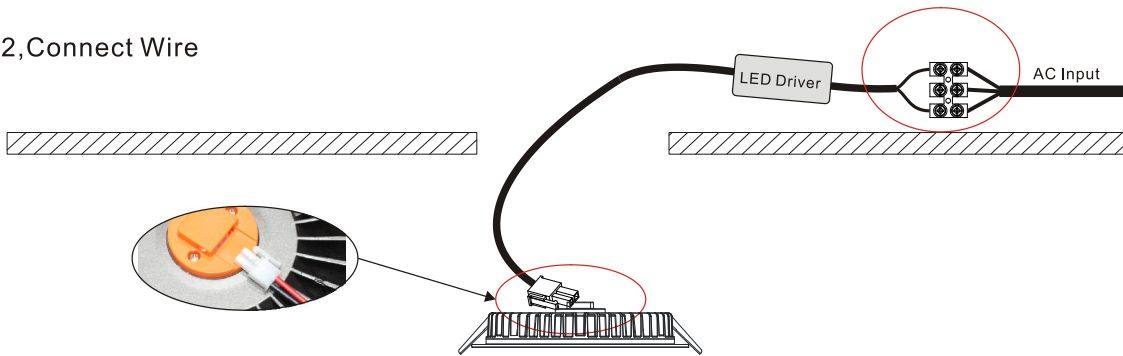


Installation instruction

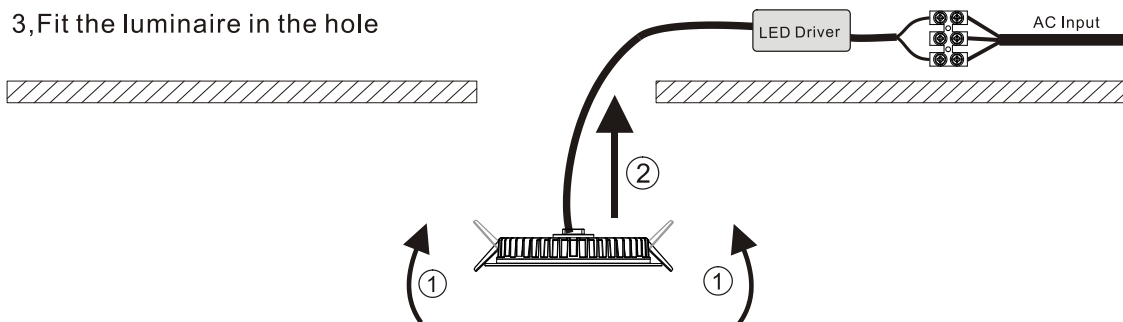
1, Cut Hole



2, Connect Wire



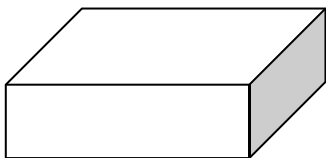
3, Fit the luminaire in the hole



4, Finish



Packaging:

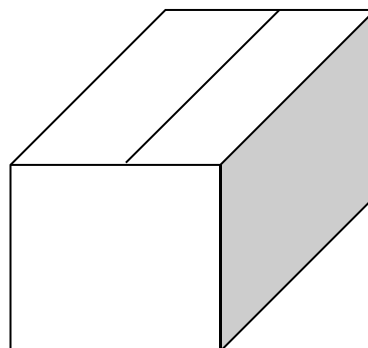


Box

L135*W135*H68mm

1pc/box

GW: 0.3kg/box



Outer carton

L700*W285*H355mm

50pcs/CTN

GW: 16kg/carton

Product naming system

