

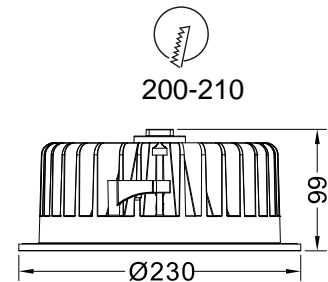
Combolite Series

BL19-28W

Reflector

Technical Parameters:

Name	Parameters
Light source:	COB
Input Voltage:	AC220~240V 50/60Hz
LED Current:	700mA (35-37V)
Rated life:	>50,000 hours
Operating temperature:	-20°C~40°C
Storage temperature:	-30°C~60°C
Certificate:	
Dimmability:	Dimmable Optional
Weight:	1.5KG



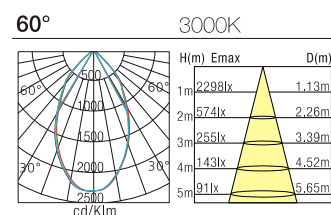
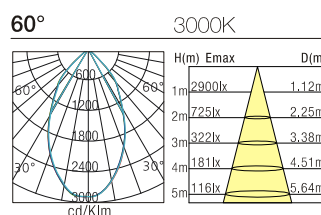
Ordering Information:

⊕White+ Gray

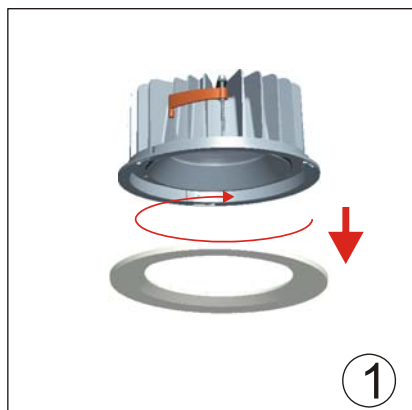
Power	CRI	Beam Angle	Luminous	CCT	Housing	Part Number
28W	>80	60°	2290 lm	3000K	⊕	BL191-28W-830-W-60
			2315 lm	4000K	⊕	BL191-28W-840-W-60
			2400 lm	5000K	⊕	BL191-28W-850-W-60
	>90	60°	2375 lm	3000K	⊕	BL191-28W-930-W-60

Technical Data test pattern

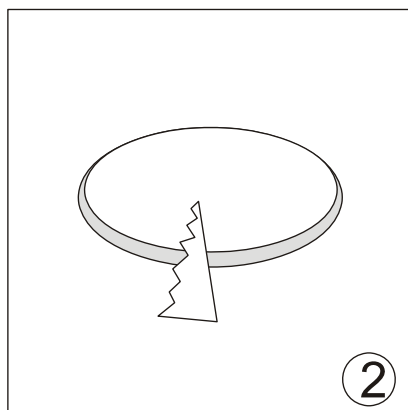
28W	CRI>80			CRI>90		
	LED			Luminaire	LED	Luminaire
Power	24.9W			26.4W	24.9W	26.4W
Current	720mA			700mA	720mA	700mA
Flux	3586lm	3697lm	3794lm	2290lm	2962lm	2375lm
CCT	3000K	4000K	5000K	3000K	3000K	3000K
Color tolerance	3 SDCM				3 SDCM	
Service life	>50000Hrs			>50000Hrs	>50000Hrs	>50000Hrs
Beam Angle	120°			60°	120°	60°
Typical Efficiency				86%		86%
Efficacy(lm/W)	144	148	150	86	119	89



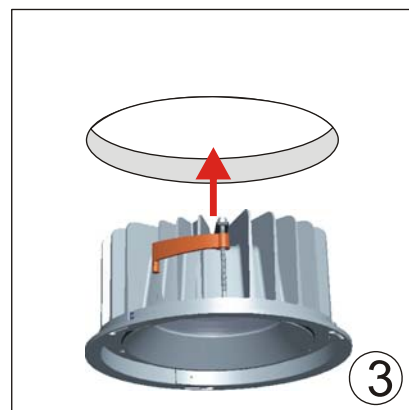
Installation instruction



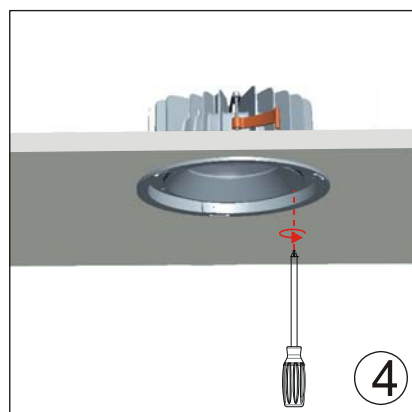
Unlock and take out the front ring.



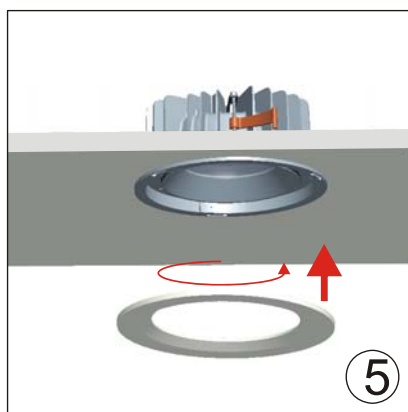
Ceiling Cut Hole \varnothing 200-210mm



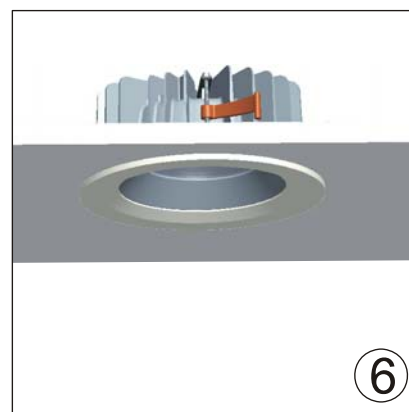
Put the lamp into the cut hole.



Use the screw driver to tighten the screw.

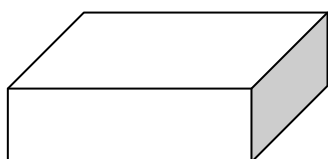


Twist the front ring into the lamp.



Done.

Packaging:

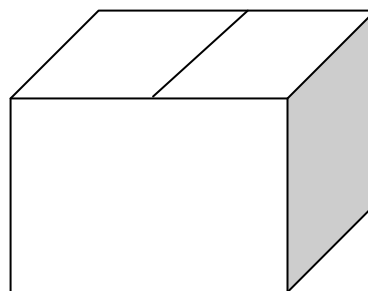


Box

L265*W265*H105mm

1pc/box

GW: 1.8kg/box



Outer carton

L560*W560*H250mm

8pcs/CTN

GW: 16kg/carton

Product naming system

BL (-X-) XX X (H) - XW - X XX - X- XX

