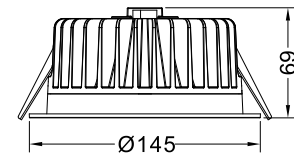


Combolite Series

BL17-15W

Technical Parameters:

Name	Parameters
Light source:	2835 SMD (36PCS)
Input Voltage:	AC220~240V 50/60Hz
LED Current:	350mA (36V)
Rated life:	>35,000 hours
Operating temperature:	-20℃~40℃
Storage temperature:	-30℃~60℃
Certificate:	
Dimmability:	Dimmable Optional
Weight:	0.45KG



Ordering Information:

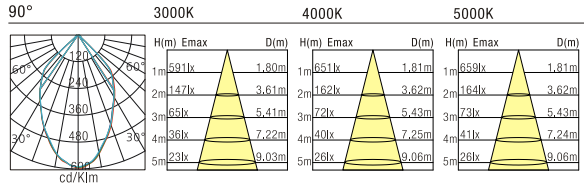
⊕ White+ Gray

Power	CRI	Beam Angle	Luminous	CCT	Housing	Part Number
15W	>80	▲ 60°	1760 lm	3000K	⊕	BL172-15W-830-W-60
			1780 lm	4000K	⊕	BL172-15W-840-W-60
	>90	▲ 60°	1430 lm	3000K	⊕	BL172-15W-930-W-60
			1620 lm	4000K	⊕	BL172-15W-940-W-60

Technical Data test pattern

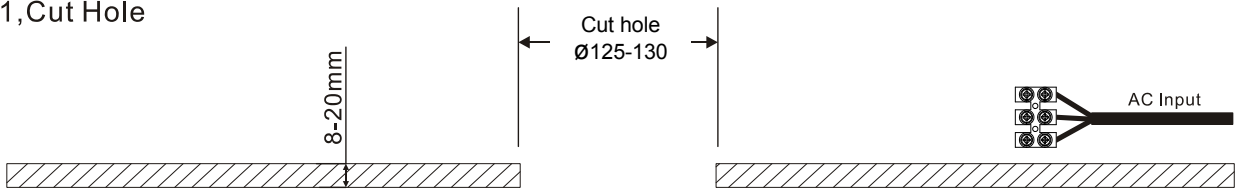
CRI>80

15W	LED	Luminaire
Power	36x0,5W	15W
Current	3B12C	350mA
Luminous Flux		1000lm 1100lm 1200lm
CCT	3000K 4000K 5000K	3000K 4000K 6000K
Color tolerance		
Service life	>50,000Hrs	>50,000Hrs
Beam Angle	120°	90°
Typical Efficiency		86%
Efficacy(lm/W)		67 73 80

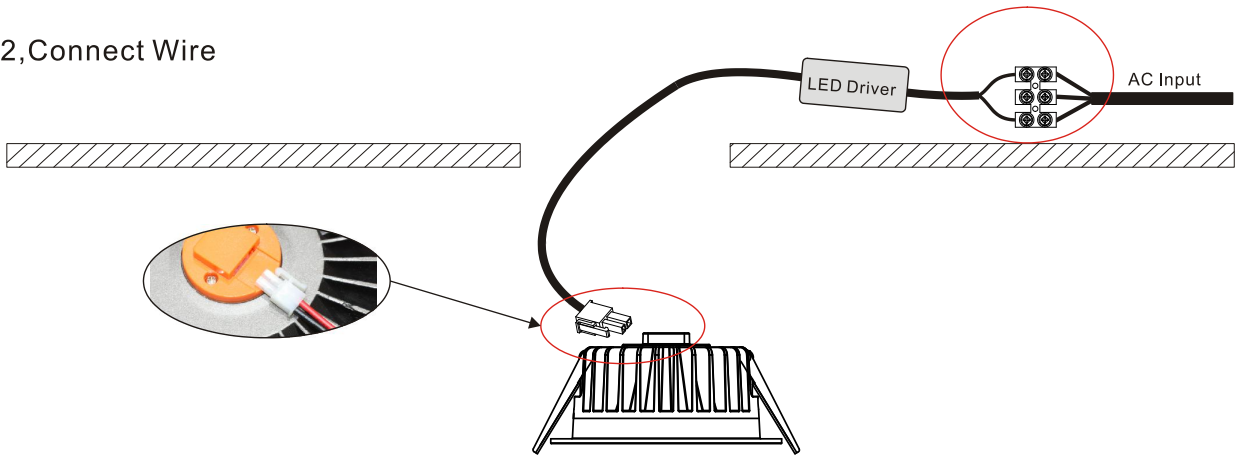


Installation instruction

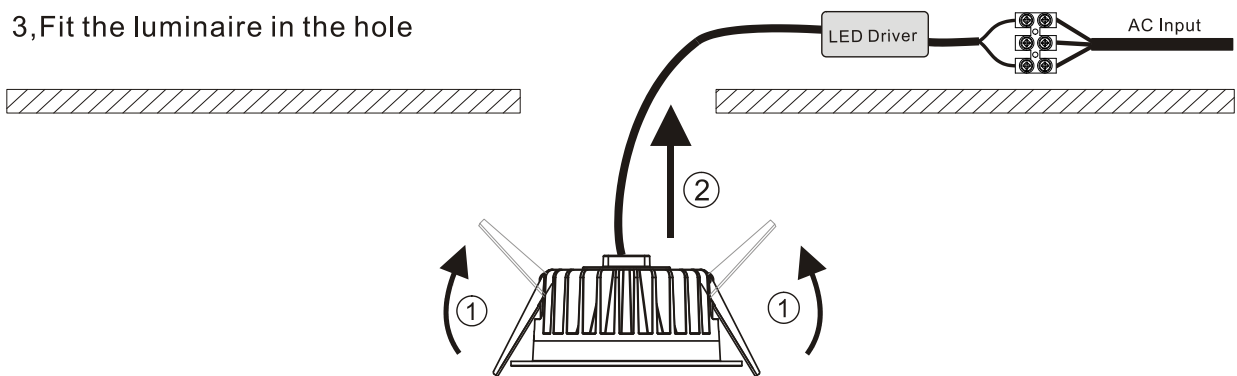
1, Cut Hole



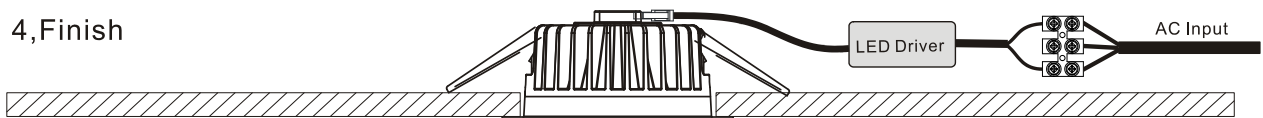
2, Connect Wire



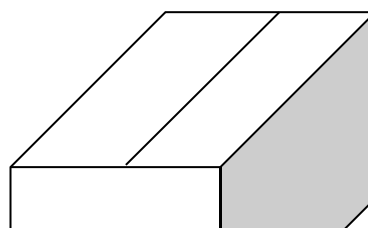
3, Fit the luminaire in the hole



4, Finish



Packaging:





Box

L170*W170*H80mm

1pc/box

GW: 0.7kg/box

Outer carton

L680*W360*H370mm

32pcs/CTN

GW: 25kg/carton

Product naming system

