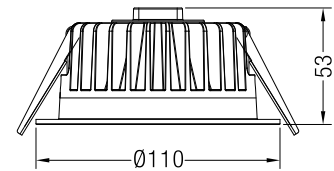


Combolite Series

**BL16-12W**

Reflector



Technical Parameters:

| Name                   | Parameters         |
|------------------------|--------------------|
| Light source:          | COB                |
| Input Voltage:         | AC220~240V 50/60Hz |
| LED Current:           | 300mA (35-37V)     |
| Rated life:            | >50,000 hours      |
| Operating temperature: | -20°C~40°C         |
| Storage temperature:   | -30°C~60°C         |
| Certificate:           |                    |
| Dimmability:           | Dimmable Optional  |
| Weight:                | 0.3KG              |

Ordering Information:

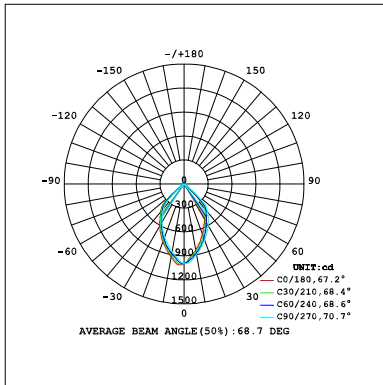
⊕ White+ Gray

| Power | CRI | Beam Angle | Luminous | CCT   | Housing | Part Number        |
|-------|-----|------------|----------|-------|---------|--------------------|
| 12W   | >80 | 60°        | 1260 lm  | 3000K | ⊕       | BL161-12W-830-W-60 |
|       |     |            | 1300 lm  | 4000K | ⊕       | BL161-12W-840-W-60 |
|       | >90 | 60°        | 1050 lm  | 3000K | ⊕       | BL161-12W-930-W-60 |
|       |     |            | 1170 lm  | 4000K | ⊕       | BL161-12W-940-W-60 |

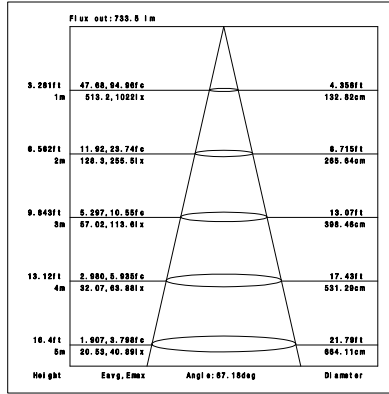


Technical Data test pattern

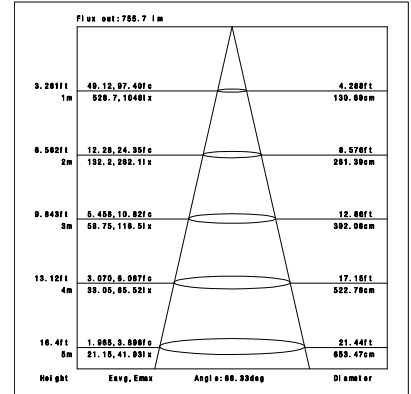
CRI80 60°



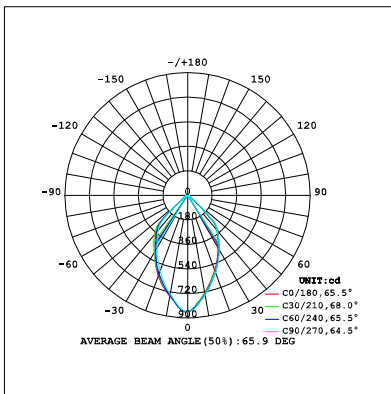
3000K



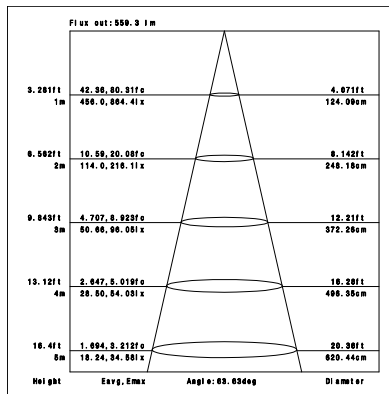
4000K



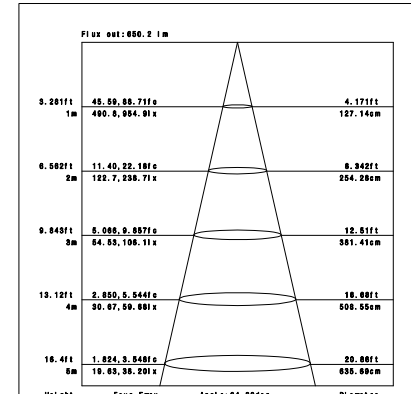
CRI90 60°



3000K

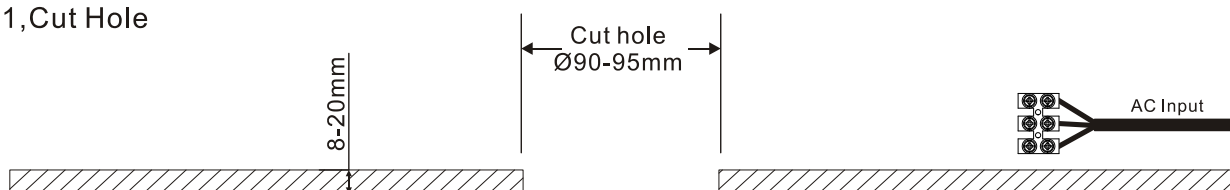


4000K

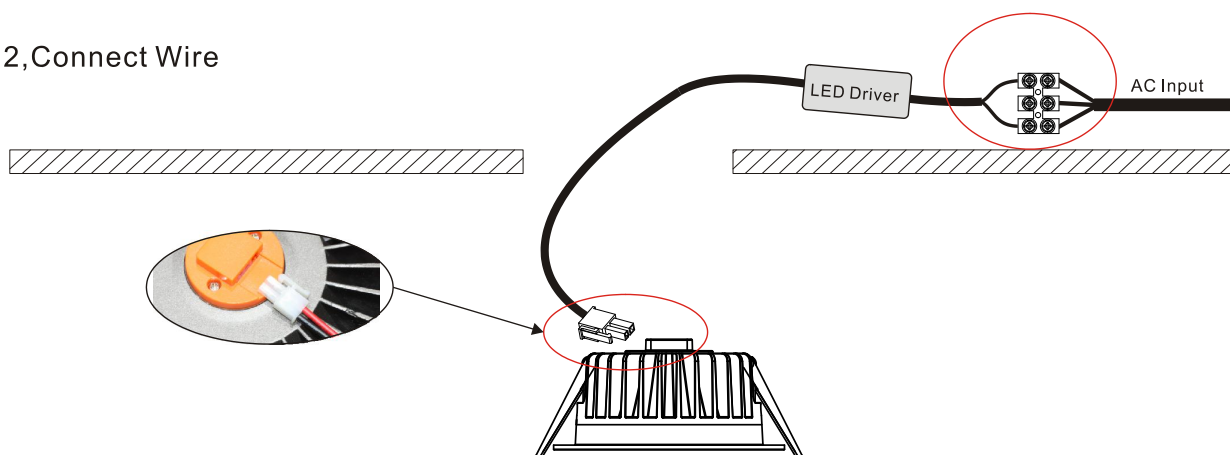


Installation instruction

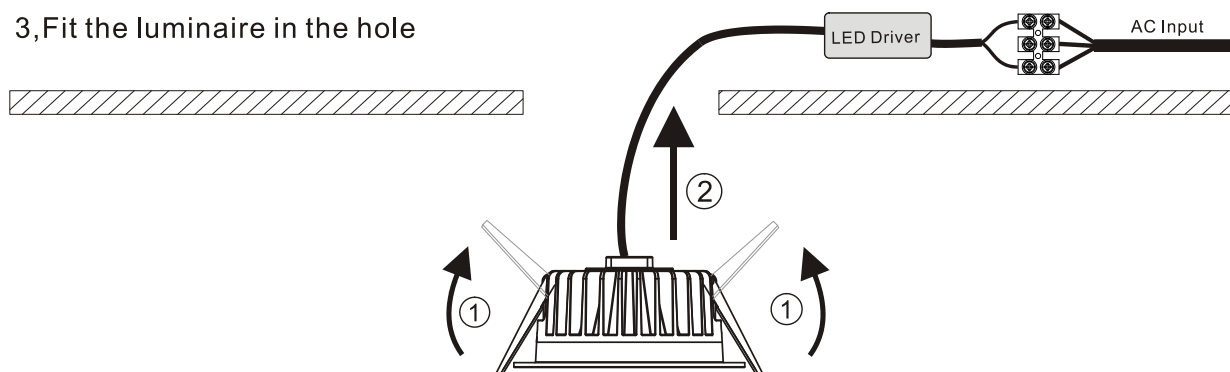
1,Cut Hole



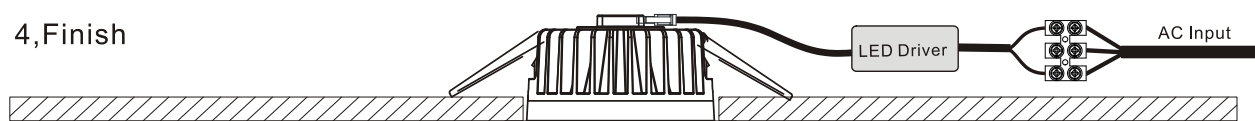
2,Connect Wire



3,Fit the luminaire in the hole



4,Finish



Packaging:

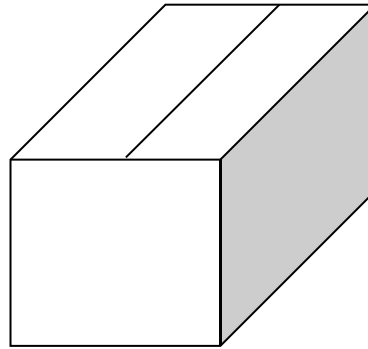


**Box**

L135\*W135\*H65mm

1pc/box

GW: 0.45kg/box



**Outer carton**

L710\*W310\*H370mm

50pcs/CTN

GW: 23kg/carton

Product naming system

**BL (-X) XX X (H) - XW - X XX - X- XX**

