

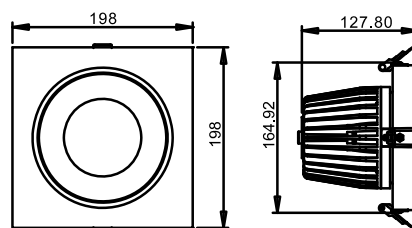
exLite Series

BL072-40W

Reflector



175



Technical Parameters:

Name	Parameters
Light source:	COB
Input Voltage:	AC220~240V 50/60Hz
LED Current:	1200mA, 30-33V
Rated life:	>35,000 hours
Operating temperature:	-20°C~40°C
Storage temperature:	-30°C~60°C
Certificate:	CE/RoHS
Dimmability:	Dimmable Optional
Weight:	1.2 KG

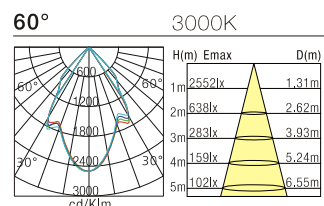
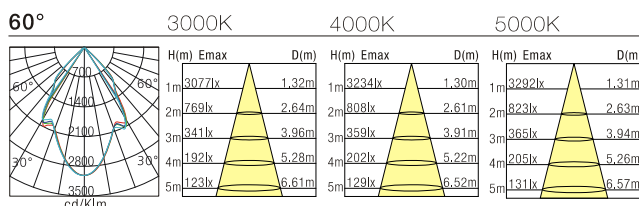
Ordering Information:

● White+Black

Power	CRI	Beam Angle	Luminous	CCT	Housing	Part Number
40W	>80	60°	3367 lm	3000K	●	BL072-40W-830-W-60
			3553 lm	4000K	●	BL072-40W-840-W-60
			3595 lm	5000K	●	BL072-40W-850-W-60
>90	60°	2780 lm	3000K	●	BL072-40W-930-W-60	
		3075 lm	3000K	●	BL072-40W-930-W-60	

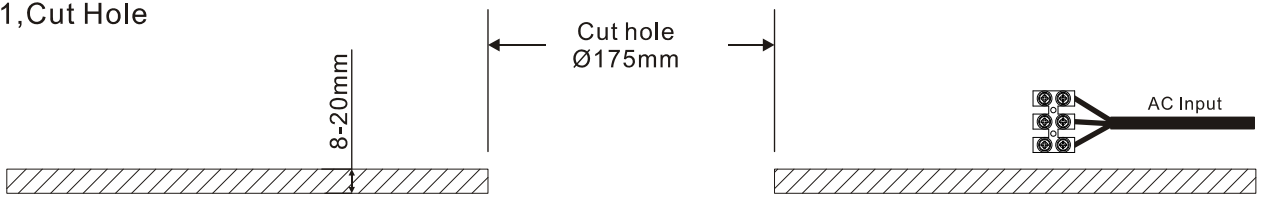
Technical Data test pattern

40W	CRI>80						CRI>90	
	LED			Luminaire			LED	Luminaire
Power	29.5W			39.5W			29.5W	39.5W
Current	1050mA			1200mA			1050mA	1200mA
Luminous Flux	4050lm	4200lm	4200lm	3367lm	3553lm	3595lm	3230lm	2780lm
CCT	3000K	4000K	5000K	3000K	4000K	5000K	23000K	3000K
Color tolerance	3 SDCM / 4 SDCM						3 SDCM	
Service life	>50,000Hrs						>50,000Hrs	
Beam Angle	120°			60°			120°	60°
Typical Efficiency				88%				86%
Efficacy	131	135	136	85	90	91	104	70

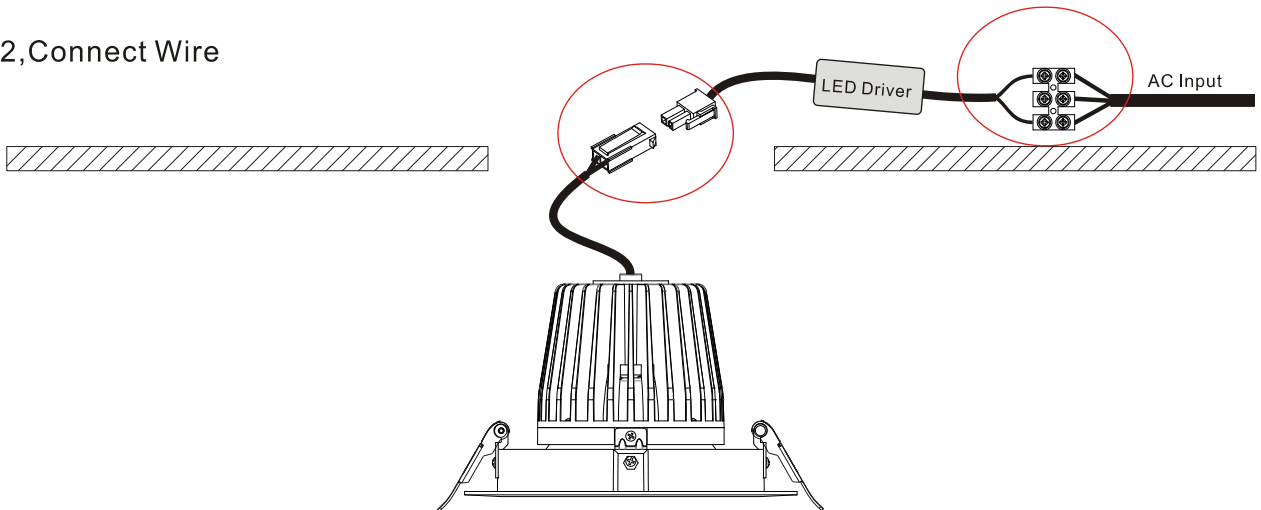


Installation instruction

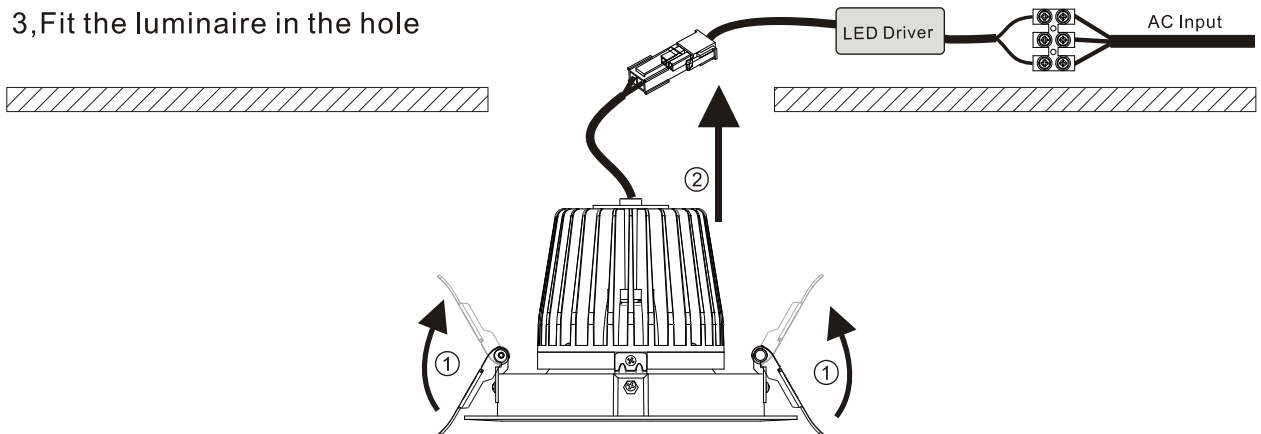
1, Cut Hole



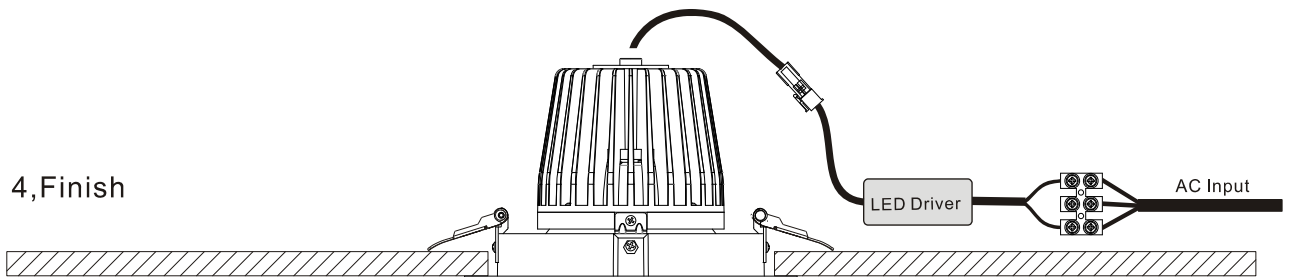
2, Connect Wire



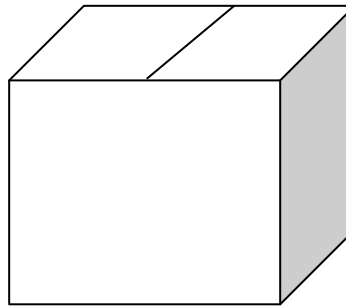
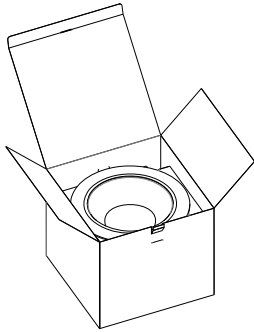
3, Fit the luminaire in the hole



4, Finish



Packaging:



Box

L210*W210*H190mm

1pc/box

GW: 1.35kg/box (With non-dimmable driver)

1.4kg/box (With Triac dimmable driver)

Outer carton

L450xW450xH410mm

8pcs/CTN

GW: 12kg/carton (With non-dimmable driver)

13kg/carton (With Triac dimmable driver)

Product naming system

BL (-X-) XX X (H) - XW - X XX - X- XX

