

exLite Series

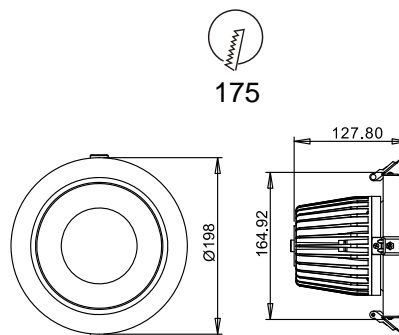
**BL071-30W**

Reflector



Technical Parameters:

Name	Parameters
Light source:	COB
Input Voltage:	AC220~240V 50/60Hz
LED Current:	800mA, 30-33V
Rated life:	>35,000 hours
Operating temperature:	-20°C~40°C
Storage temperature:	-30°C~60°C
Certificate:	CE/RoHS
Dimmability:	Dimmable Optional
Weight:	1.2 KG



Ordering Information:

White+Black

Power	CRI	Beam Angle	Luminous	CCT	Housing	Part Number
30W	>80	60°	2448 lm	3000K	●	BL071-30W-830-W-60
			2533 lm	4000K	●	BL071-30W-840-W-60
			2493 lm	5000K	●	BL071-30W-850-W-60
	>90	60°	2095 lm	3000K	●	BL071-30W-930-W-60
			2714 lm	4000K	●	BL071-30W-940-W-60

Technical Data test pattern

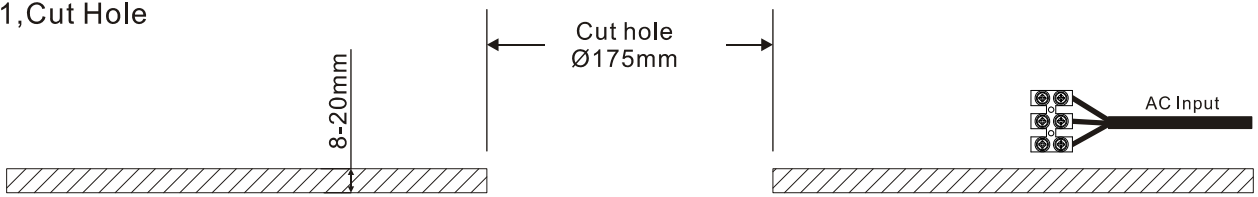
30W	CRI>80						CRI>90	
	LED			Luminaire			LED	Luminaire
Power	16.2W			29.5W			16.2W	29.5W
Current	500mA			800mA			500mA	800mA
Luminous Flux	2120lm	2200lm	2200lm	2448lm	2533lm	2493lm	1630lm	2095lm
CCT	3000K	4000K	5000K	3000K	4000K	5000K	3000K	3000K
Color tolerance	3 SDCM						3 SDCM	
Service life	>50,000Hrs			>50,000Hrs			>50,000Hrs	>50,000Hrs
Beam Angle	120°			60°			120°	60°
Typical Efficiency				88%				86%
Efficacy(lm/W)	131	135	136	83	85.8	84.5	101	71

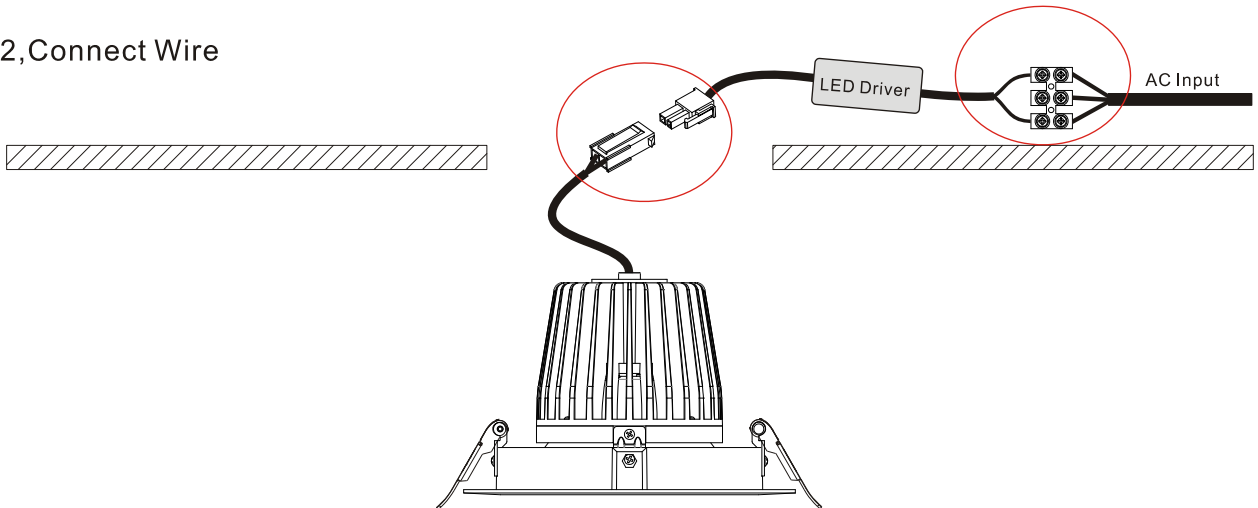
60°	3000K	4000K	5000K	60°	3000K
H(m) Emax D(m)	H(m) Emax D(m)	H(m) Emax D(m)	H(m) Emax D(m)	H(m) Emax D(m)	H(m) Emax D(m)
1m 2391lx 1.25m	1m 2462lx 1.26m	1m 2431lx 1.26m	1m 2022lx 1.25m	1m 2022lx 1.25m	1m 2022lx 1.25m
2m 597lx 2.51m	2m 615lx 2.53m	2m 607lx 2.52m	2m 505lx 2.51m	2m 505lx 2.51m	2m 505lx 2.51m
3m 265lx 3.77m	3m 273lx 3.80m	3m 270lx 3.79m	3m 224lx 3.77m	3m 224lx 3.77m	3m 224lx 3.77m
4m 149lx 5.02m	4m 153lx 5.07m	4m 151lx 5.05m	4m 126lx 5.02m	4m 126lx 5.02m	4m 126lx 5.02m
5m 95lx 6.28m	5m 98lx 6.34m	5m 97lx 6.31m	5m 80lx 6.28m	5m 80lx 6.28m	5m 80lx 6.28m

Installation instruction

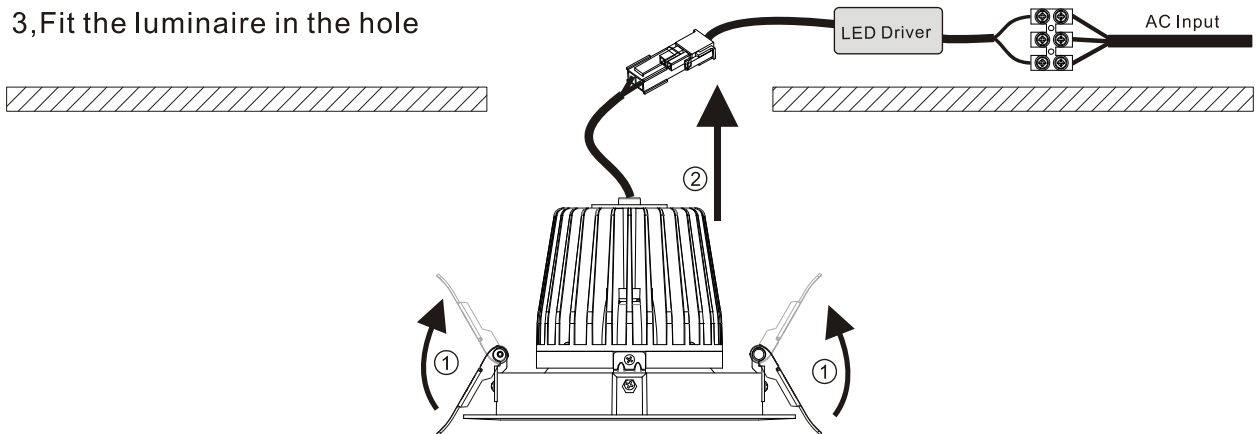
1, Cut Hole



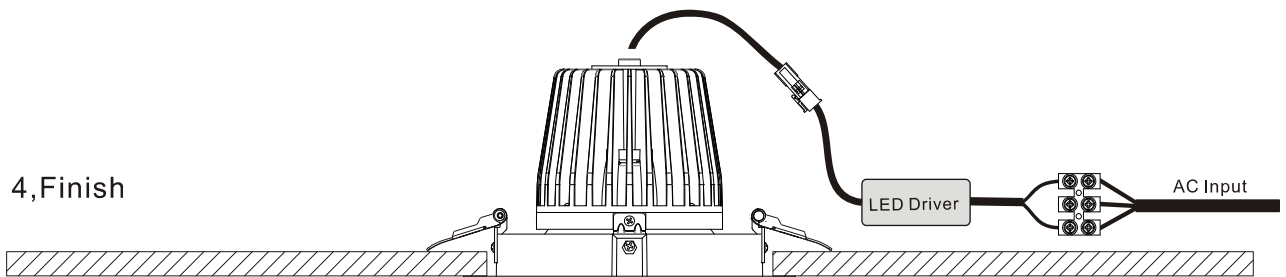
2, Connect Wire



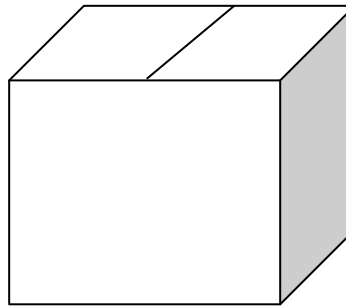
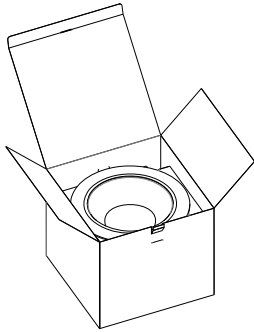
3, Fit the luminaire in the hole



4, Finish



Packaging:



**Box**

L210\*W210\*H190mm

1pc/box

GW: 1.35kg/box (With non-dimmable driver)

1.4kg/box (With Triac dimmable driver)

**Outer carton**

L450xW450xH410mm

8pcs/CTN

GW: 12kg/carton (With non-dimmable driver)

13kg/carton (With Triac dimmable driver)

Product naming system

**BL (~~X~~) XX X (H) – XW – X XX – X- XX**

