

exLite Series

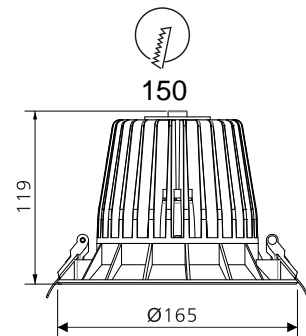
**BL06-30W**

Reflector



Technical Parameters:

Name	Parameters
Light source:	COB
Input Voltage:	AC220~240V 50/60Hz
LED Current:	800mA, 30-33V
Rated life:	>35,000 hours
Operating temperature:	-20°C~40°C
Storage temperature:	-30°C~60°C
Certificate:	CE/RoHS
Dimmability:	Dimmable Optional
Weight:	0.9KG



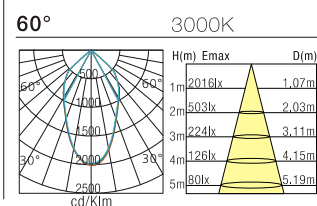
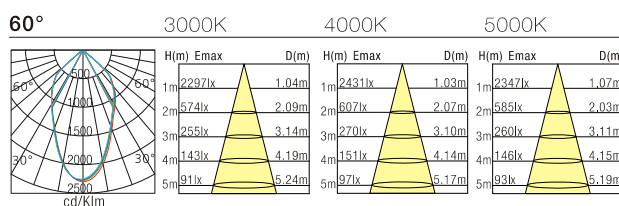
Ordering Information:

● White+Black

Power	CRI	Beam Angle	Luminous	CCT	Housing	Part Number
30W	>80	60°	2526 lm	3000K	●	BL061-30W-830-W-60
			2681 lm	4000K	●	BL061-30W-840-W-60
			2565 lm	5000K	●	BL061-30W-850-W-60
	>90	60°	2221 lm	3000K	●	BL061-30W-930-W-60

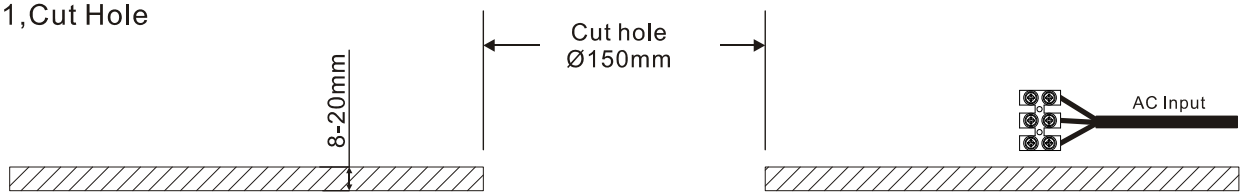
Technical Data test pattern

30W	CRI>80			CRI>90		
	LED			Luminaire		
Power	16.2W			29.5W		
Current	500mA			800mA		
Luminous Flux	2120lm	2200lm	2200lm	2526lm	2681lm	2565lm
CCT	3000K	4000K	5000K	3000K	4000K	5000K
Color tolerance	3 SDCM			3 SDCM		
Service life	>50,000Hrs			>50,000Hrs		
Beam Angle	120°			60°		
Typical Efficiency				88%		
Efficacy(lm/W)	131	135	136	85	90	86

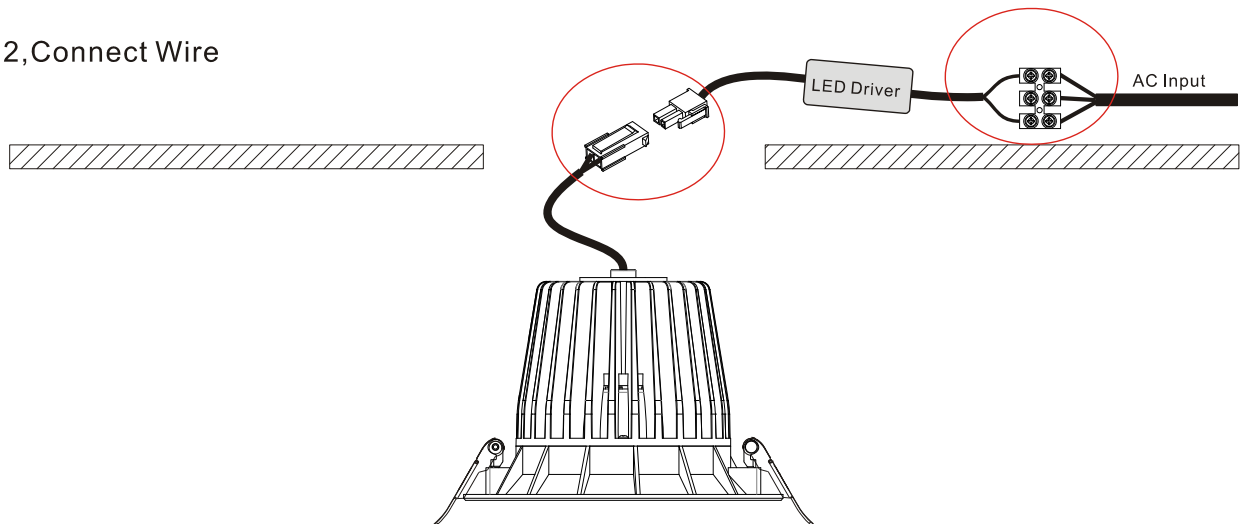


Installation instruction

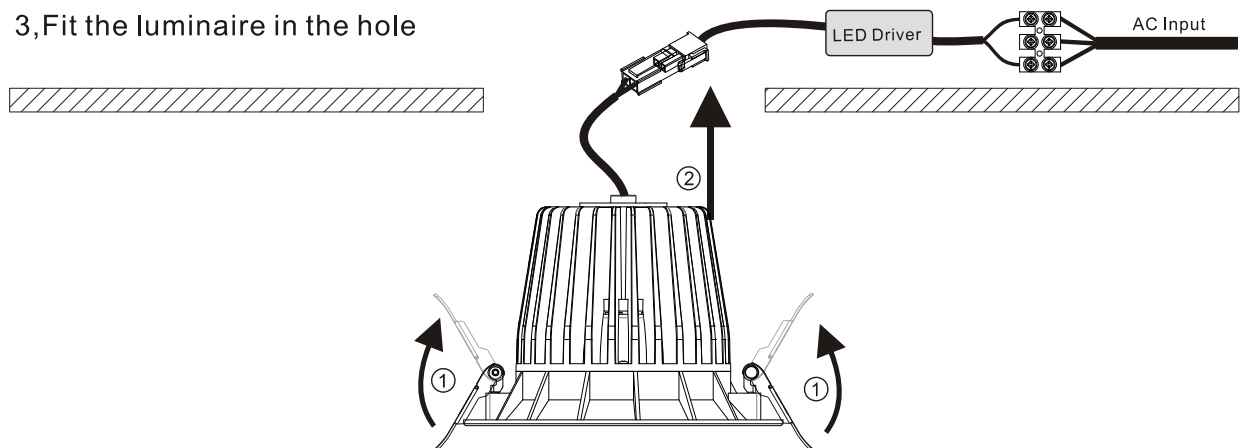
1, Cut Hole



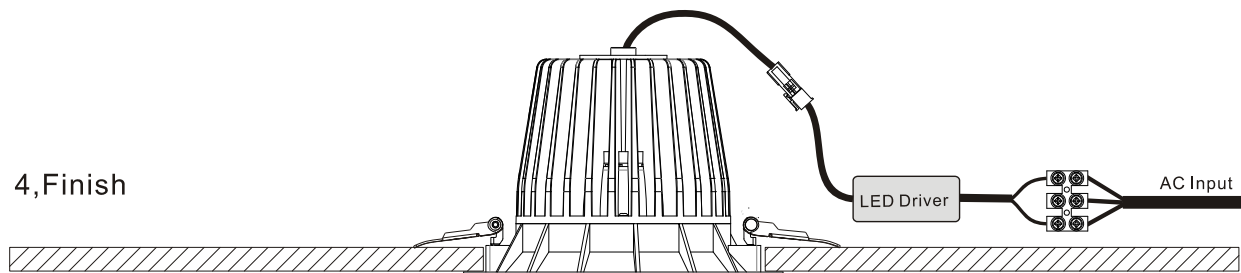
2, Connect Wire



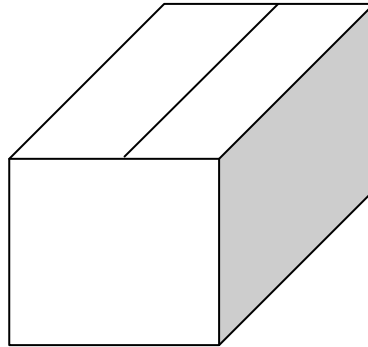
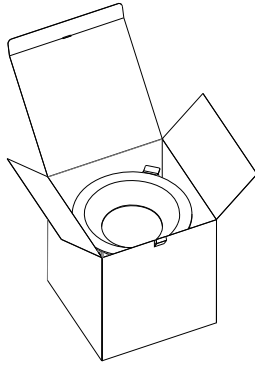
3, Fit the luminaire in the hole



4, Finish



Packaging:



**Box**

L170\*W170\*H165mm

1pc/box

GW: 1.05kg/box (With non-dimmable driver)

1.15kg/box (With Triac dimmable driver)

**Outer carton**

L710xW370xH390mm

16 pcs/carton

GW: 18kg/carton (With non-dimmable driver)

19kg/carton (With Triac dimmable driver)

Product naming system

**BL (-X) XX X (H) - XW - X XX - X- XX**

