

exLite Series

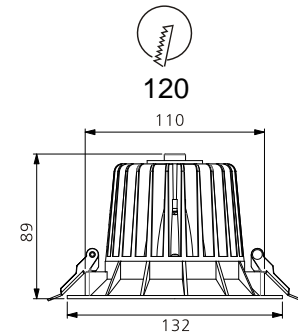
BL05-20W

Reflector



Technical Parameters:

Name	Parameters
Light source:	COB
Input Voltage:	AC220~240V 50/60Hz
LED Current:	500mA (30-33V)
Rated life:	>35,000 hours
Operating temperature:	-20°C~40°C
Storage temperature:	-30°C~60°C
Certificate:	CE/RoHS
Dimmability:	Dimmable Optional
Weight:	0.4KG



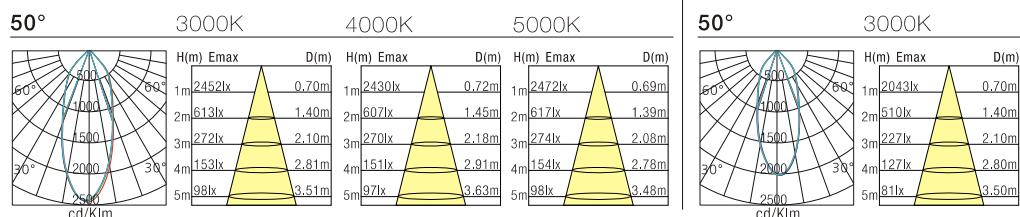
Ordering Information:

☉ White+Black

Power	CRI	Beam Angle	Luminous	CCT	Housing	Part Number
20W	>80	50°	1667 lm	3000K	☉	BL051-20W-830-W-50
			1746 lm	4000K	☉	BL051-20W-840-W-50
			1729 lm	5000K	☉	BL051-20W-850-W-50
>90	50°	1458 lm	3000K	☉	BL051-20W-930-W-50	

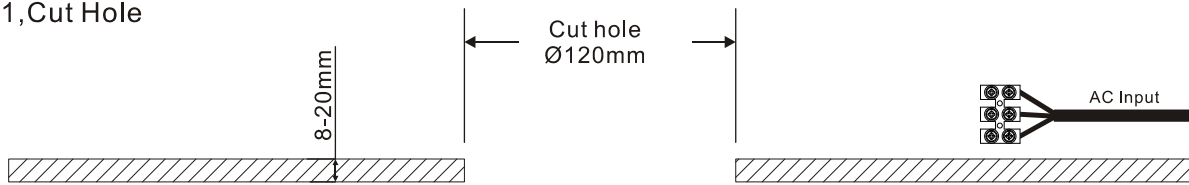
Technical Data test pattern

20W	CRI>80						CRI>90	
	LED			Luminaire			LED	Luminaire
Power	16.2W			18W			16.2W	18W
Current	500mA			500mA			500mA	500mA
Luminous Flux	2120lm	2200lm	2200lm	1700lm	1723lm	1718lm	1630lm	1384lm
CCT	3000K	4000K	5000K	3000K	4000K	5000K	3000K	3000K
Color tolerance	3 SDCM						3 SDCM	
Service life	>50,000Hrs						>50,000Hrs	
Beam Angle	120°			50°			120°	50°
Typical Efficiency				86%				86%
Efficacy(lm/W)	131	135	136	94.5	95.5	95	101	76

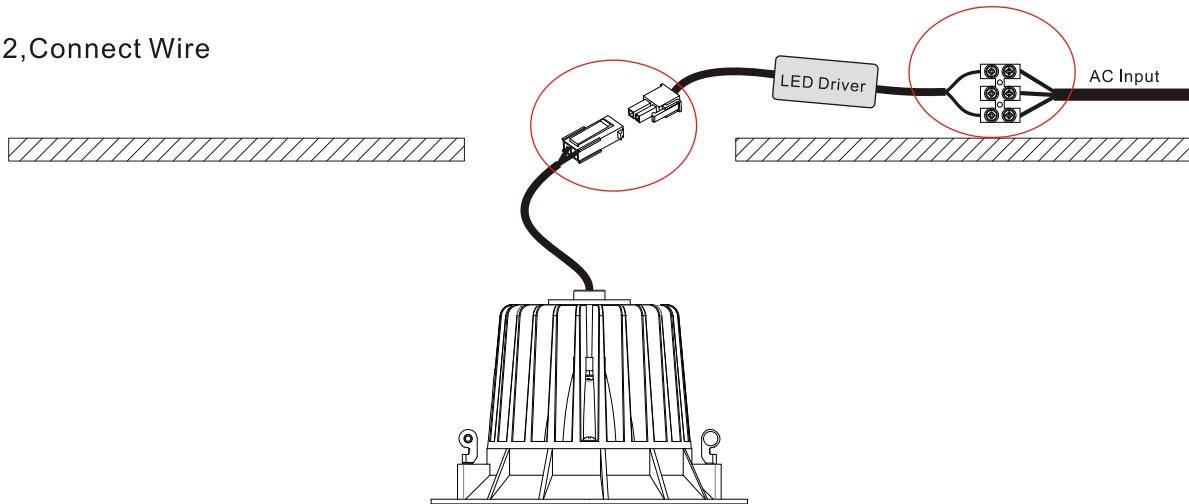


Installation instruction

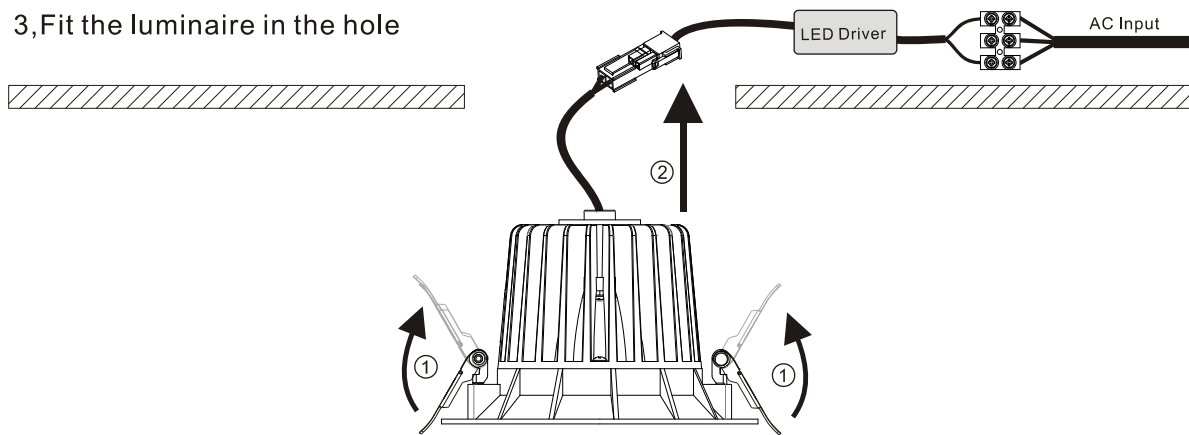
1, Cut Hole



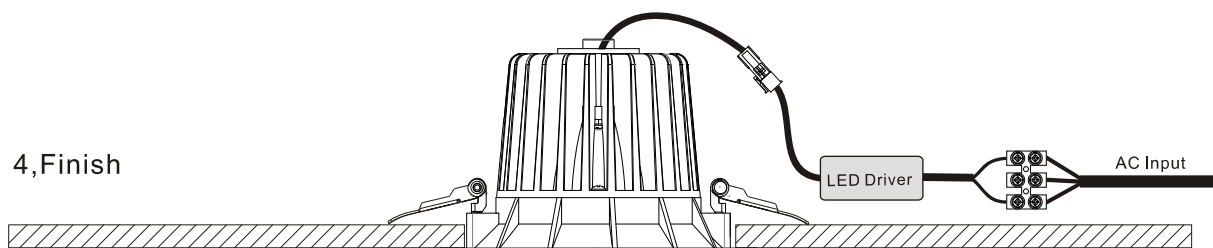
2, Connect Wire



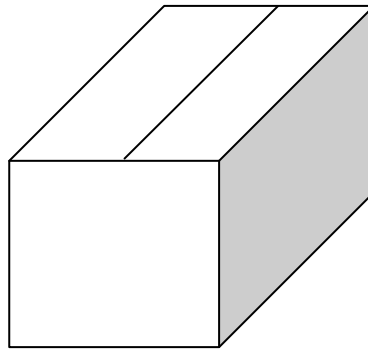
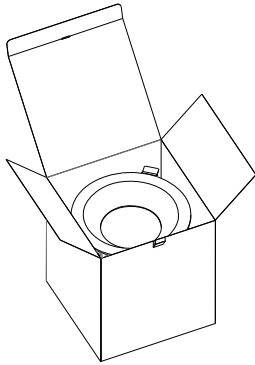
3, Fit the luminaire in the hole



4, Finish



Packaging:



Box

L140*W140*H160mm
 1pc/box
 GW: 0.6kg/box

Outer carton

L730*W310*H350mm
 20pcs/CTN
 GW: 13kg/carton

Product naming system

