

## Decossed Tilt Spotlight

Norms: EN 60598-1, EN 60598-2-1, EN60598-2-2

### Product information







Product number:	ALRT85 - 34
Input Voltage (v):	220-240V AC
Dimming:	On/Off, Triac, 1-10V, DALI
Light source:	COB LED
Luminaire Lifetime:	50.000h (L80-B10, Ta25° C)
Rotation Angle (degree):	350
Tilting Angle (degree):	90
IP Rating:	20
Working Temperature (° C)	-5 ~ +30
Storage Temperature (° C)	-20 ~ +50
Material:	Aluminium
Fitting Colors:	9016 Sandy White / 9017 Sandy Black

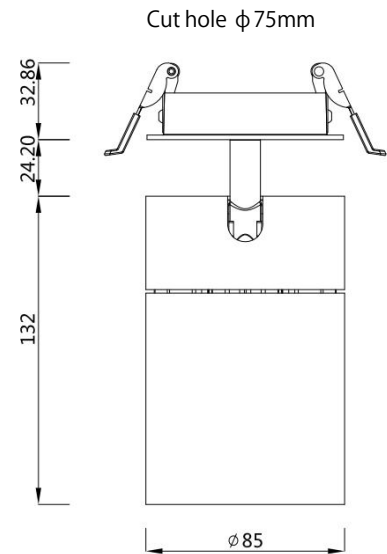


Honeycomb    Oval diffuser    Diffuser    Anti-glare ring

### Packaging information

N.W. lamp (Kg):	0.96
G.W. Carton (Kg):	12
Master carton dimensions(mm):	720x295x220
Quantity per carton(PCS):	10

Beam	Watt	CRI	Luminous	CCT	Code
21 	34W	90	3060.1 lm	4000K	ALRT85S-NC34G40-S
			2886.9 lm	3000K	ALRT85S-NC34G30-S
			2684.8 lm	2700K	ALRT85S-NC34G27-S
25 	34W	90	2987.5 lm	4000K	ALRT85S-NC34G40-M
			2818.4 lm	3000K	ALRT85S-NC34G30-M
			2621.1 lm	2700K	ALRT85S-NC34G27-M
35 	34W	90	2925.8 lm	4000K	ALRT85S-NC34G40-F
			2760.2 lm	3000K	ALRT85S-NC34G30-F
			2566.9 lm	2700K	ALRT85S-NC34G27-F
45 	34W	90	2945.6 lm	4000K	ALRT85S-NC34G40-WF
			2778.9 lm	3000K	ALRT85S-NC34G30-WF
			2584.4 lm	2700K	ALRT85S-NC34G27-WF



- ① ② ③ ④ ⑤ ⑥ ⑦ ⑧ ⑨ ⑩

Code composition: ALRT 85 S - N C 34 G30 - S - B- L01

① Product series	② Model	③ App types	④ Dimming type	⑤ COB type	⑥ Watt	⑦ LED Kelvin & CRI	⑧ Optical angle	⑨ Finishes	⑩ Accessories
ALRT	85	S Spotlight	N No dimming T Triac dimming V 1-10V dimming D DALI dimming	C COB	34W	H27 2700 >95 S G30 3000 >90 M E40 4000 >80 F C50 5000 >70 WF	Spot Medium Flood Wide Flood	White Black	L01 Honeycomb L02 Oval diffuser L03 Diffuser L04 Anti-glare ring