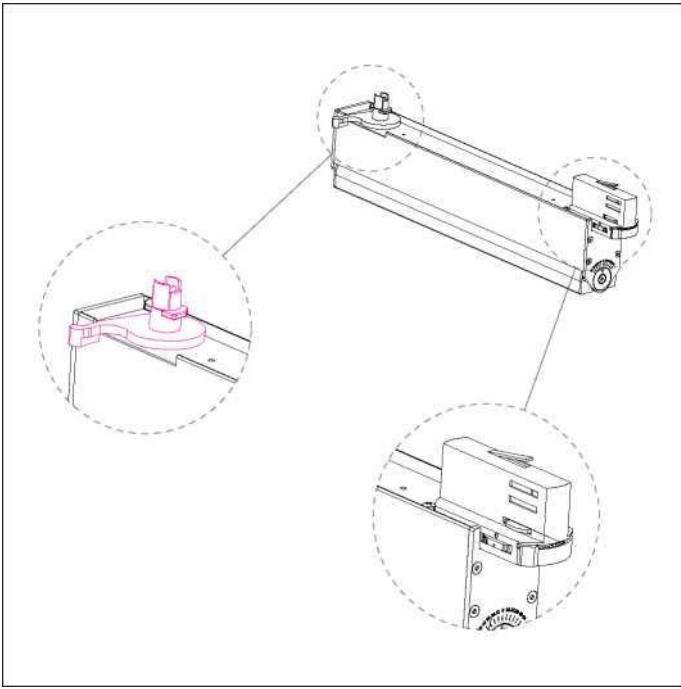
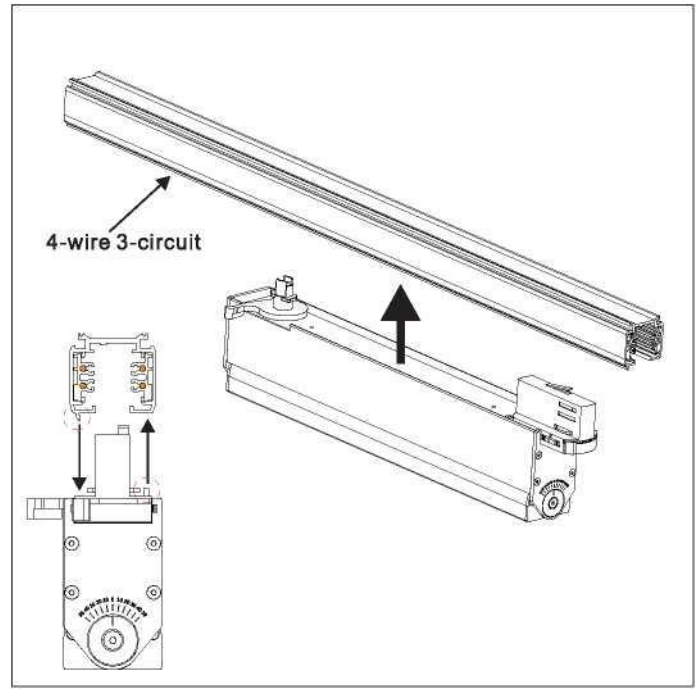


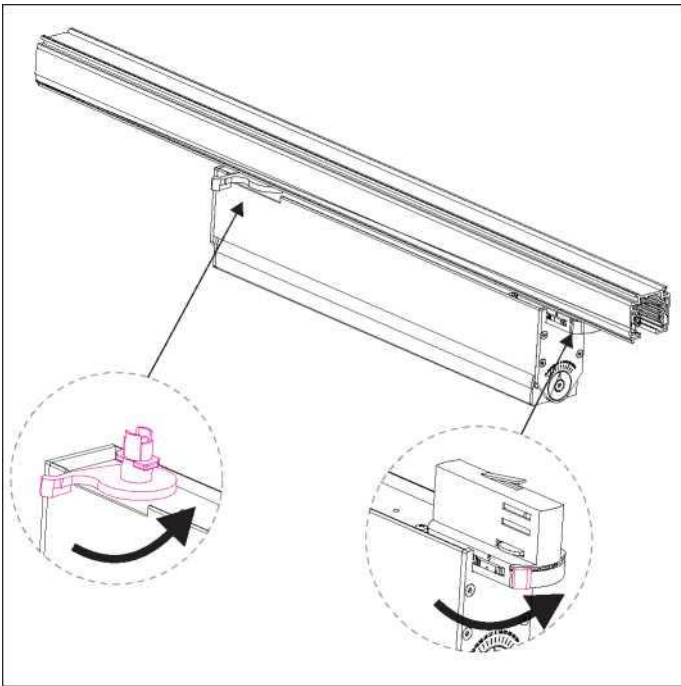
# Linear light Installation Instruction(4-Wire 3-Phase)



1, The track adaptor and lock-up clip adjust to the position like picture showed.



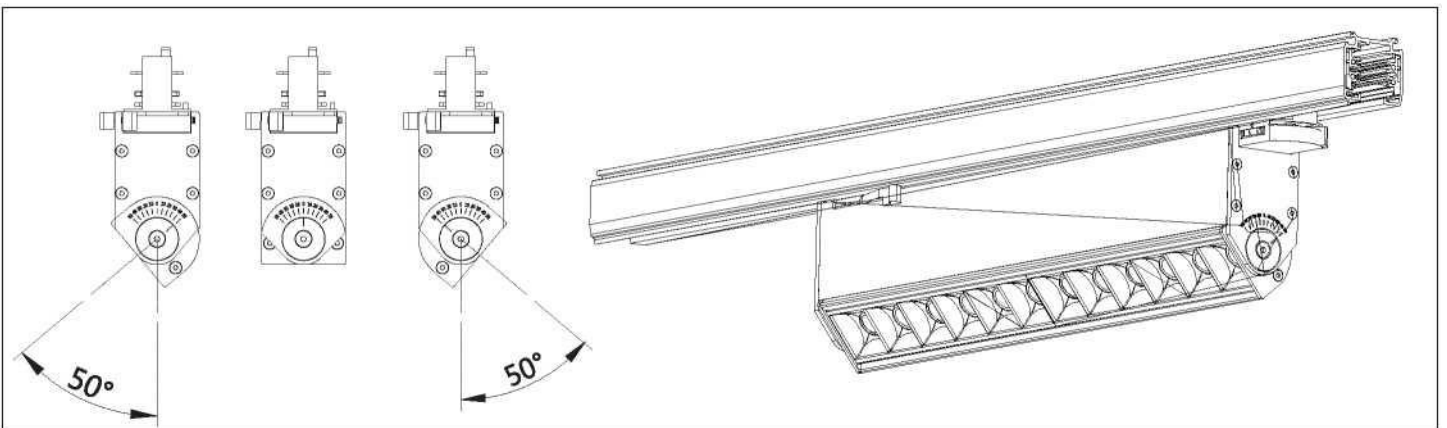
2, Push the Linear light into the track, pay attention to the position of the track's ridge. The ridge on the linear light track adaptor should be matched with the side of the track that has no ridge.



3, Swivel 90degree for both the lock of track adaptor and the clip.

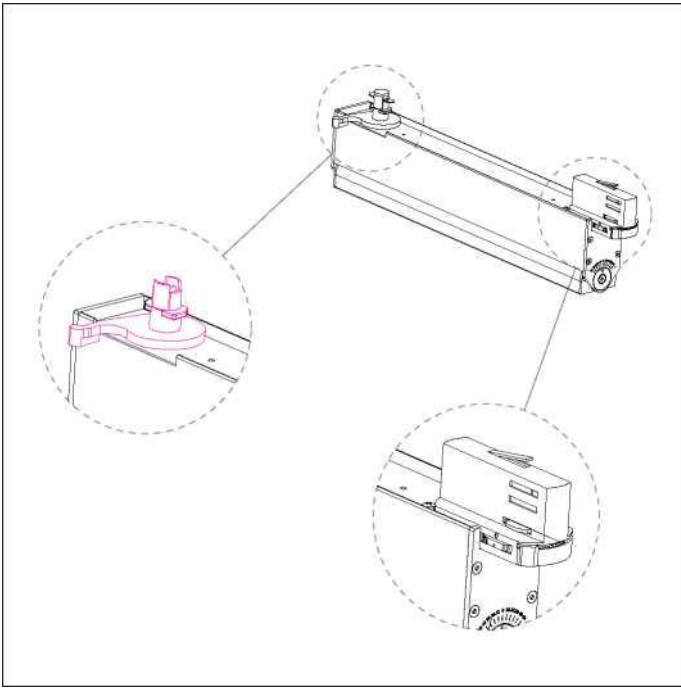


4, Shi 代 1/2/3 circuit by swivel the button

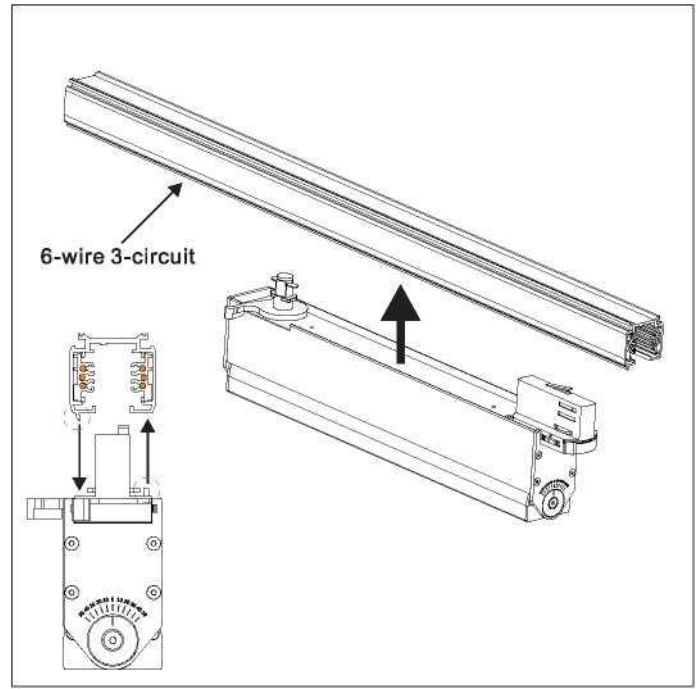


5, Adjust the light beam direction.

# Linear light Installation Instruction(0/1 -10V<sub>Z</sub>DALI)

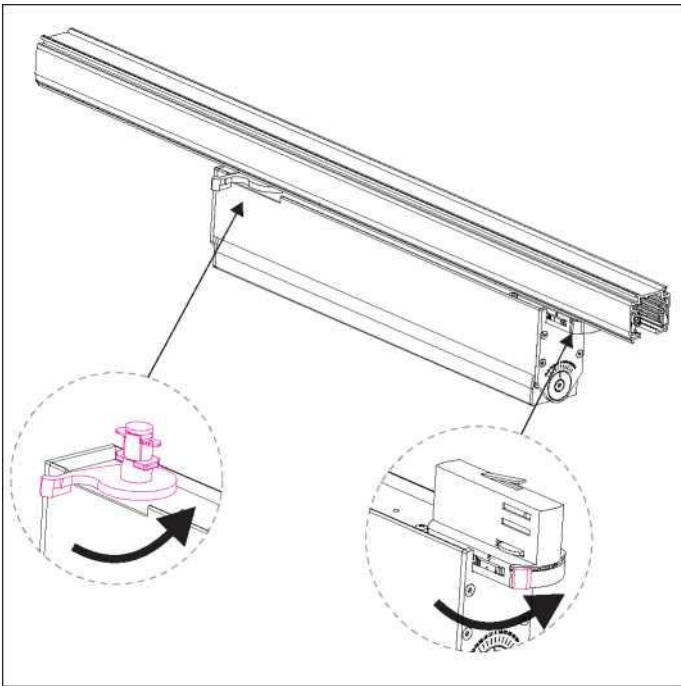


1, The track adaptor and lock-up clip adjust to the position like picture showed.

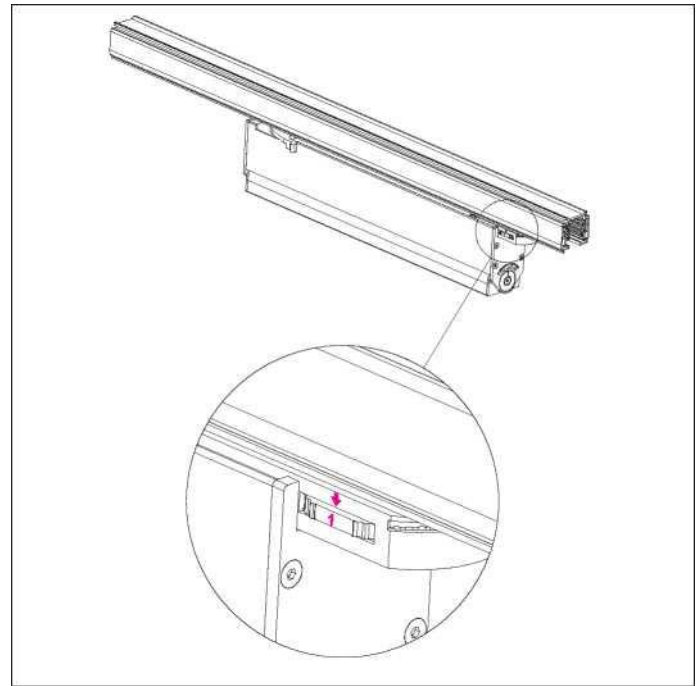


6-wire 3-circuit

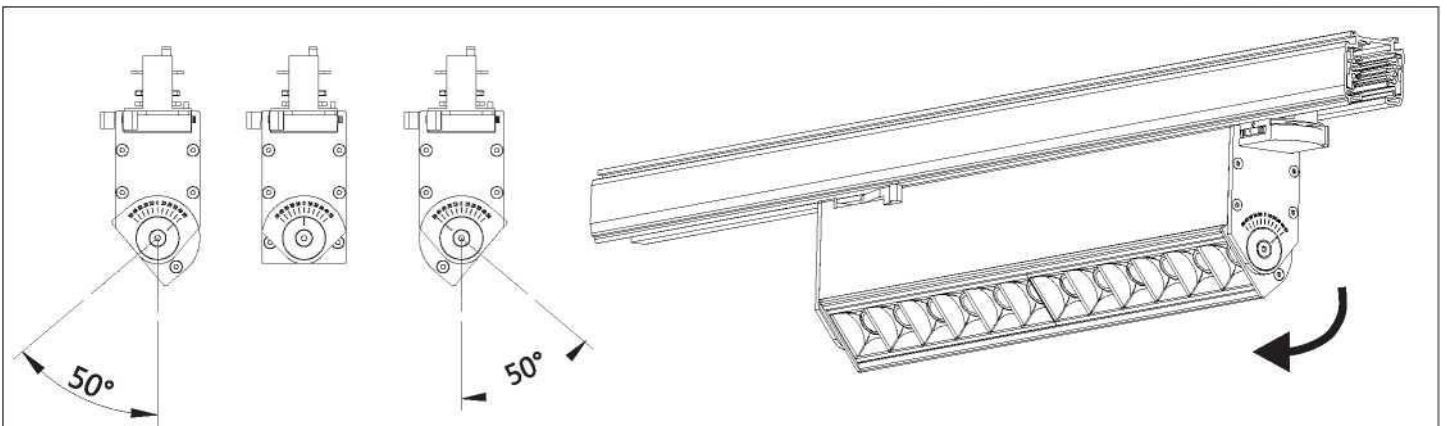
2, Push the Linear light into the track, pay attention to the position of the track's ridge. The ridge on the linear light track adaptor should be matched with the side of the track that has no ridge.



3, Swivel 90degree for both the lock of track adaptor and the clip.



4, Shi 代 1/2/3 circuit by swivel the button



5, Adjust the light beam direction.