

Product information



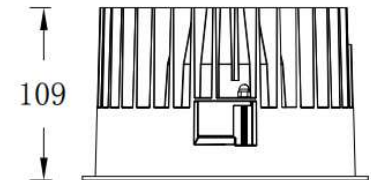
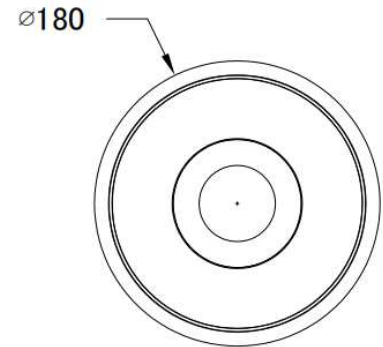
Product number: DP165R - 40W  
 Input Voltage (v): 220-240V~  
 Dimming: On/Off, TRIAC, 1-10V, DALI  
 Light source: COB LED  
 luminaire Lifetime: 50.000h (L80B50, Ta25°C)  
 IP Rating: 54  
 Working Temperature (°C): -5 ~ +30  
 Material: Aluminium  
 Fitting Colors: Sandy White / Sandy Black



Packaging information

N.W. lamp (Kg): 1.63  
 G.W. Carton (Kg): 17.3  
 Master carton dimensions(mm): 590x445x206  
 Quantity per carton(PCS): 10

Beam	Watt	CRI	Luminous	CCT	Code
18	40W	90	2855 lm	4000K	DP165R-40G40-S01
			2772 lm	3000K	DP165R-40G30-S01
			2633 lm	2700K	DP165R-40G27-S01
24	40W	90	3150 lm	4000K	DP165R-40G40-M01
			3059 lm	3000K	DP165R-40G30-M01
			2906 lm	2700K	DP165R-40G27-M01
38	40W	90	3370 lm	4000K	DP165R-40G40-F01
			3272 lm	3000K	DP165R-40G30-F01
			3108 lm	2700K	DP165R-40G27-F01
56	40W	90	3199 lm	4000K	DP165R-40G40-WF01
			3106 lm	3000K	DP165R-40G30-WF01
			2950 lm	2700K	DP165R-40G27-WF01



Cut hole :  $\phi 165\text{mm}$

