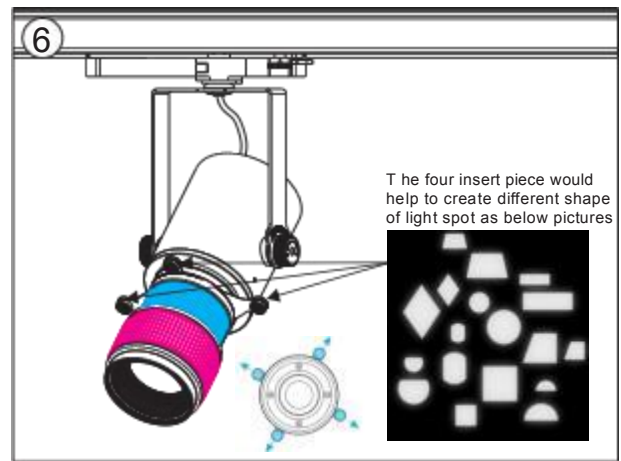
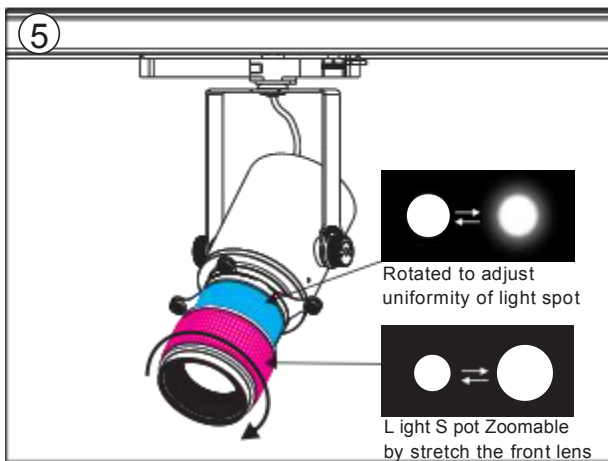
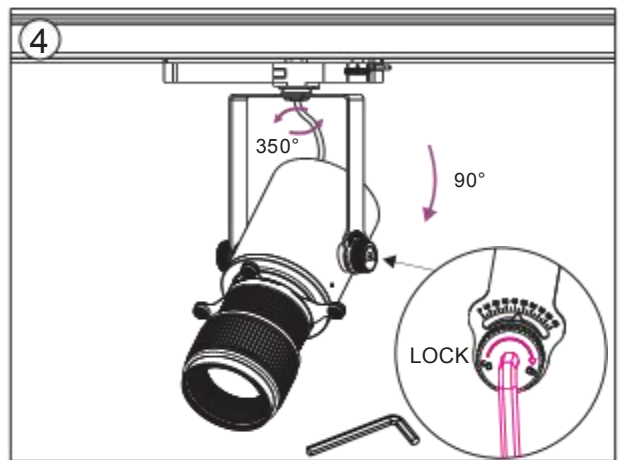
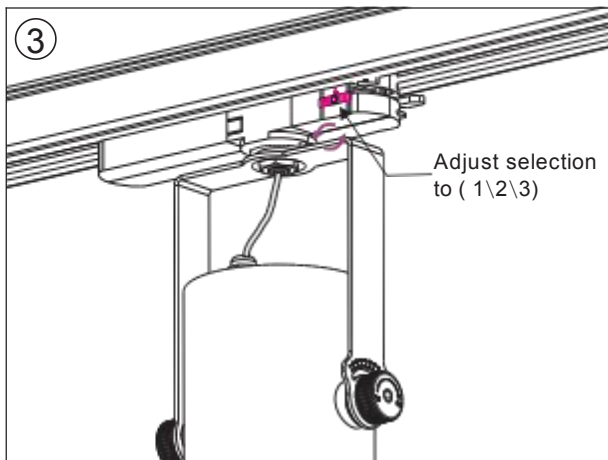
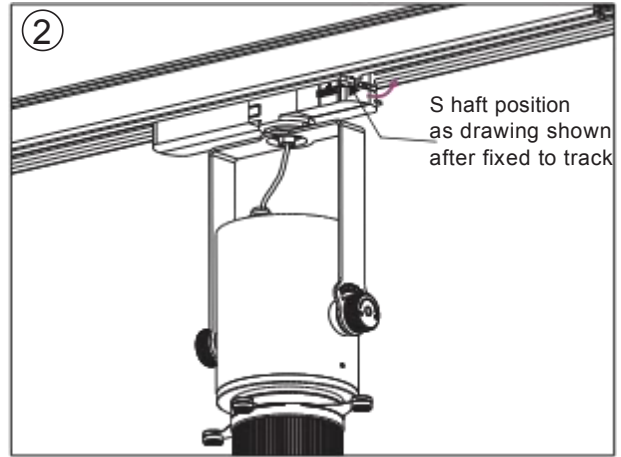
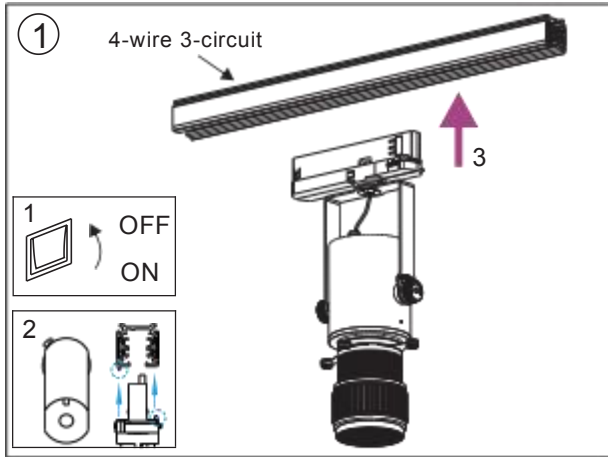
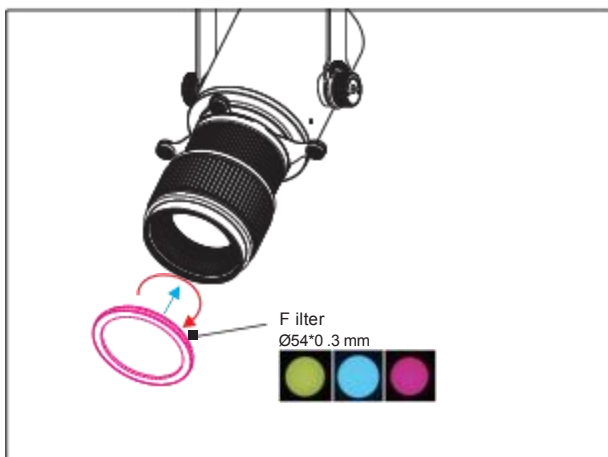


TL48 Tacklight Installation Instructions (Projection illuminated imaging system)

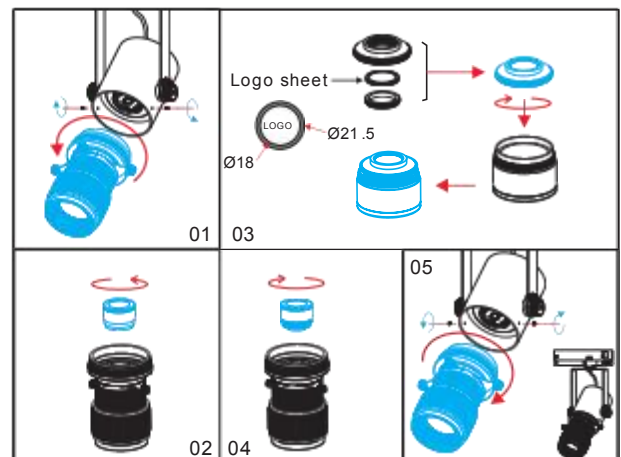
Adaptor installation diagram



Filter instructions

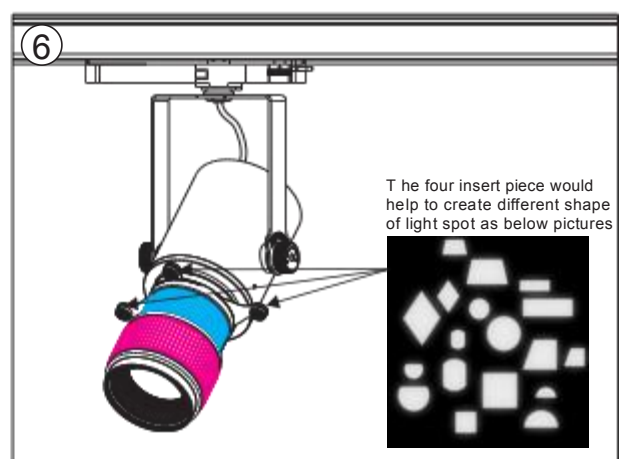
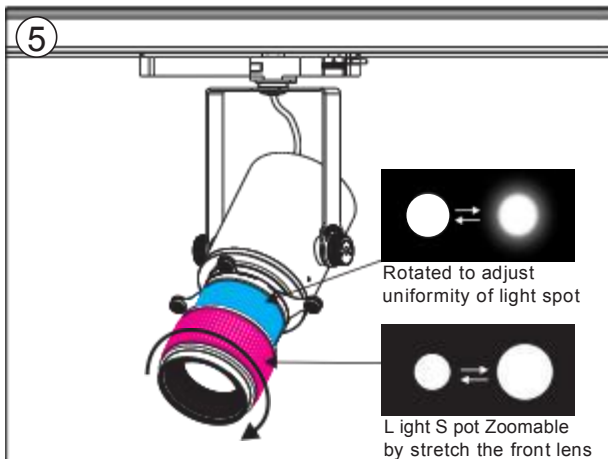
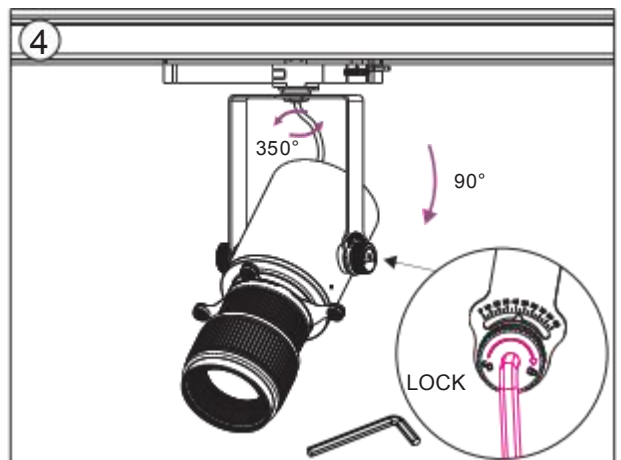
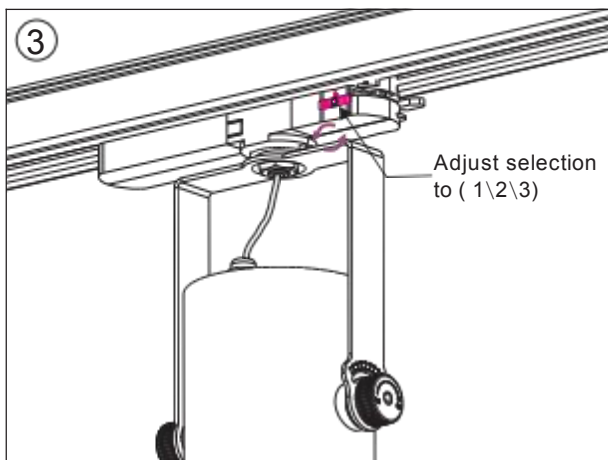
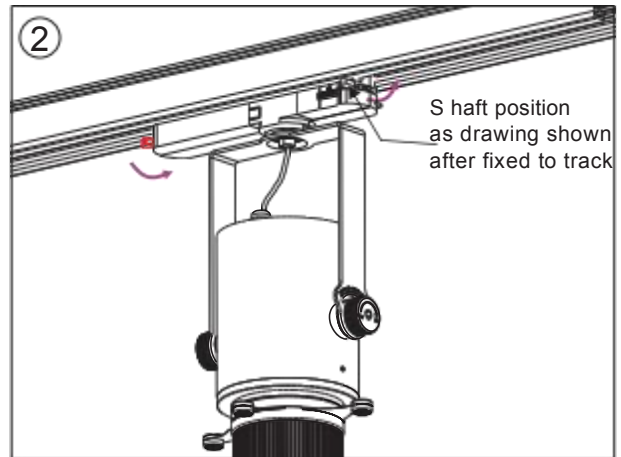
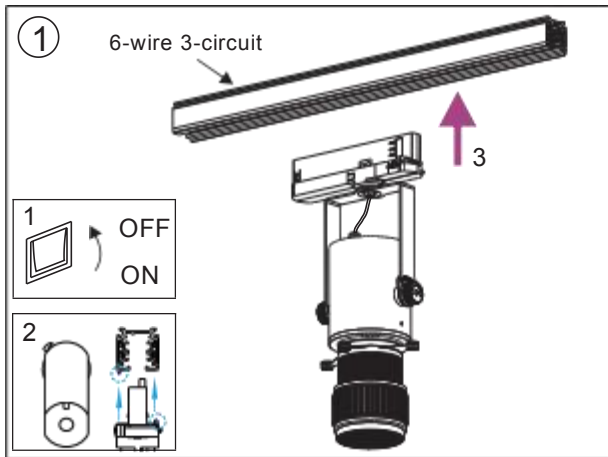


Projector replacement instructions

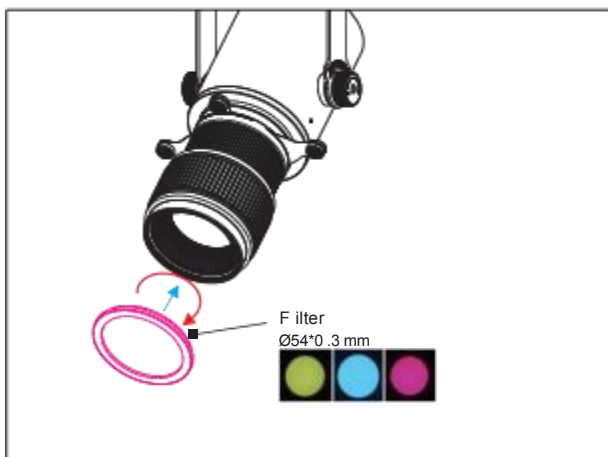


TL48 Tacklight Installation Instructions (DALI),
 (Projection illuminated imaging system)

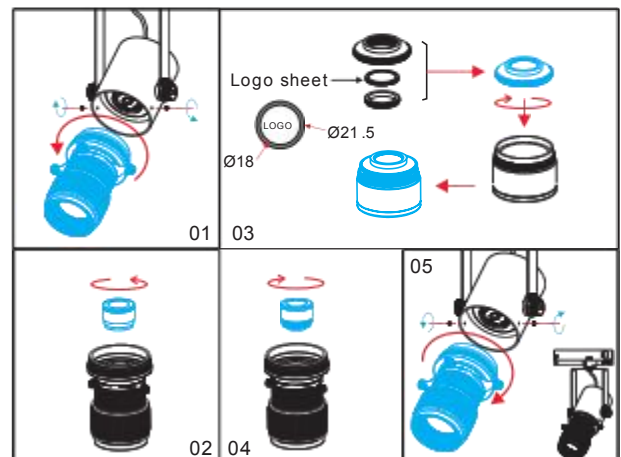
Adaptor installation diagram



Filter instructions

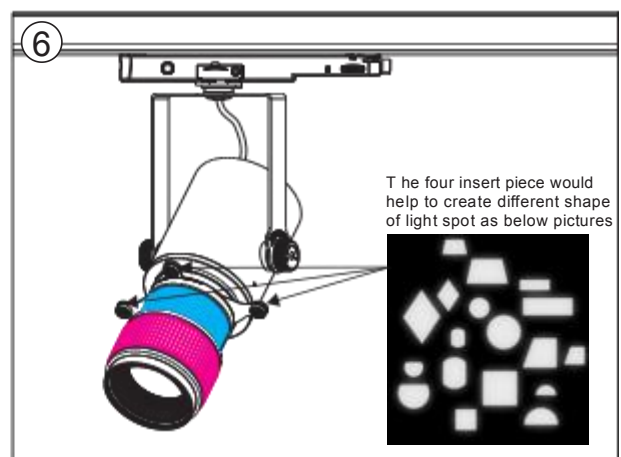
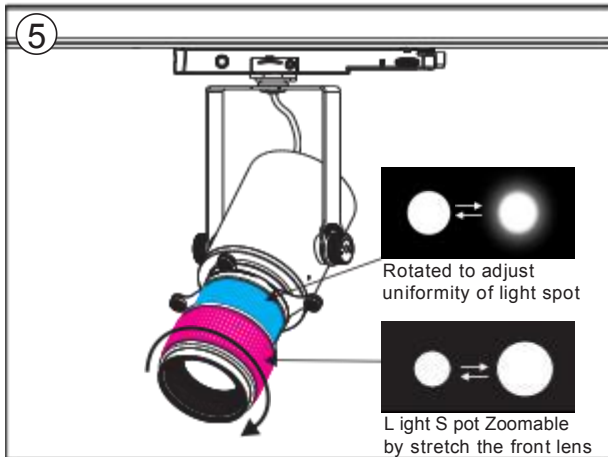
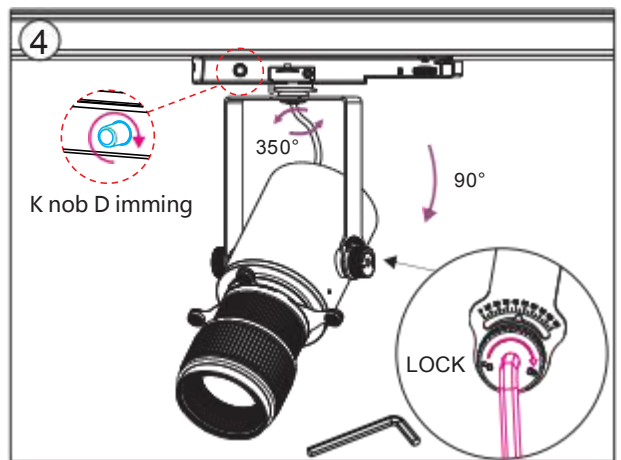
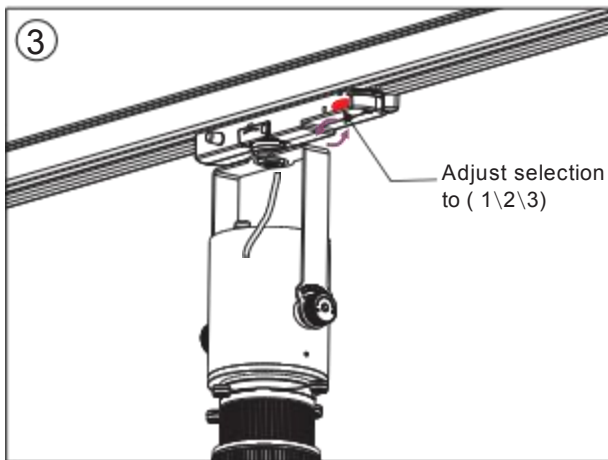
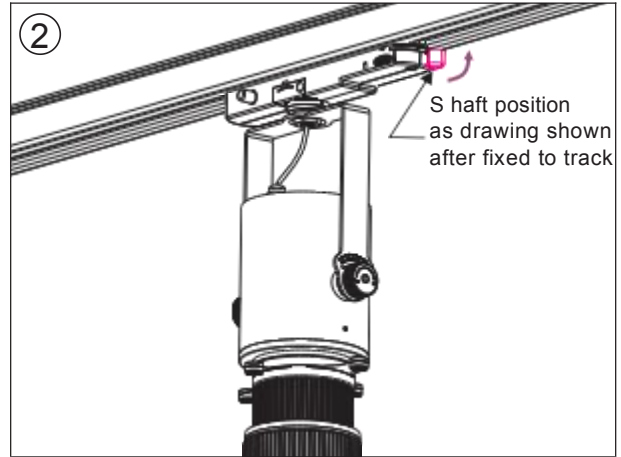
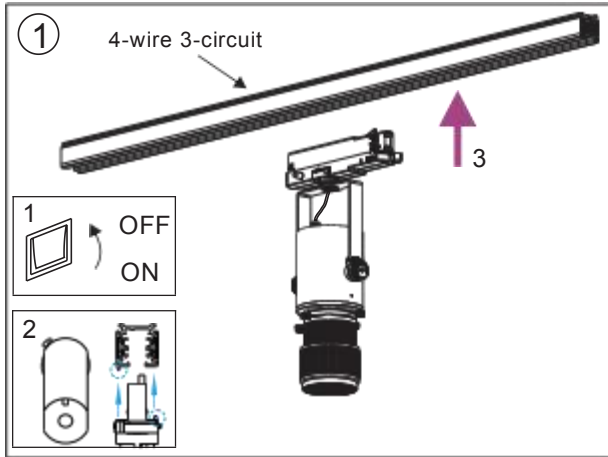


Projector replacement instructions

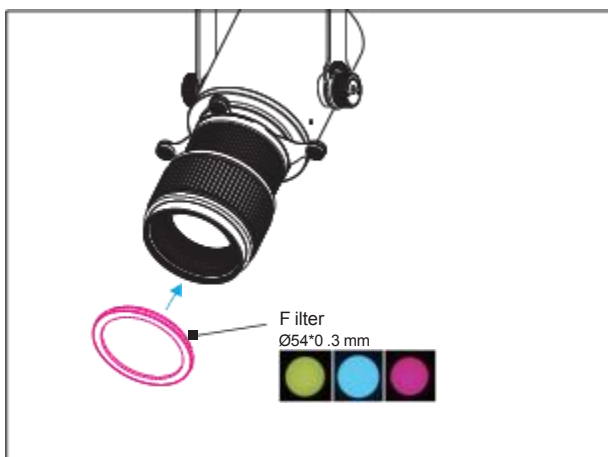


TL48 Tacklight Installation Instructions (**K nob dimming**),
 (**P** rojection illuminated imaging system)

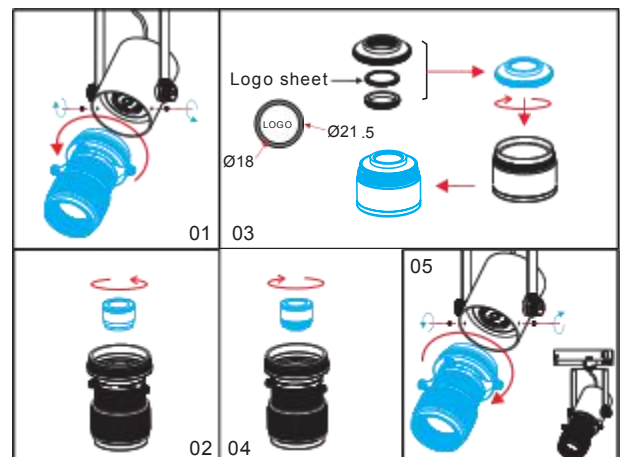
Adaptor installation diagram



F ilter instructions

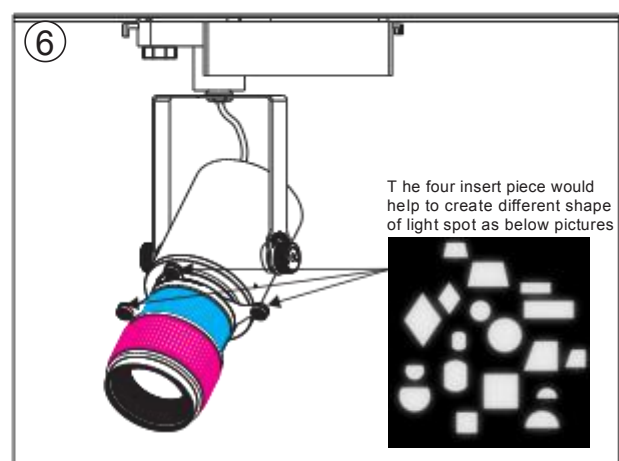
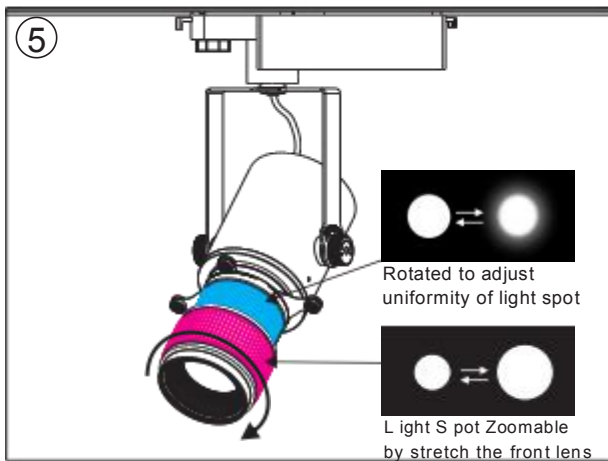
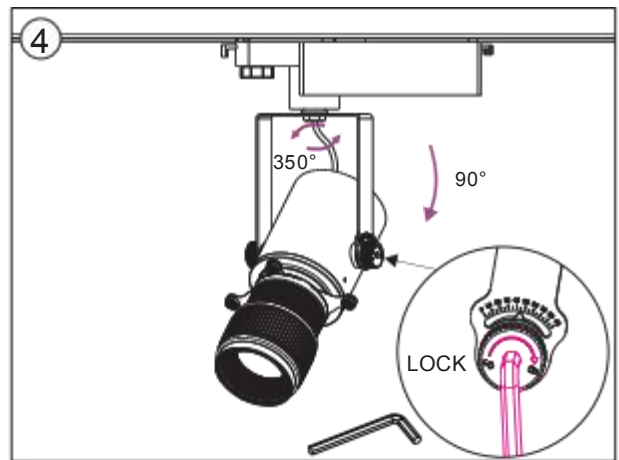
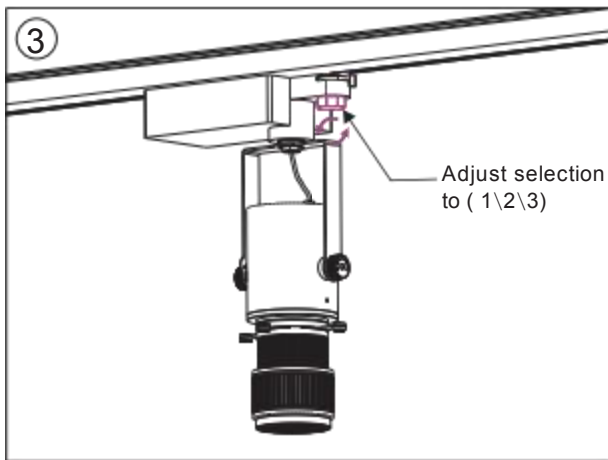
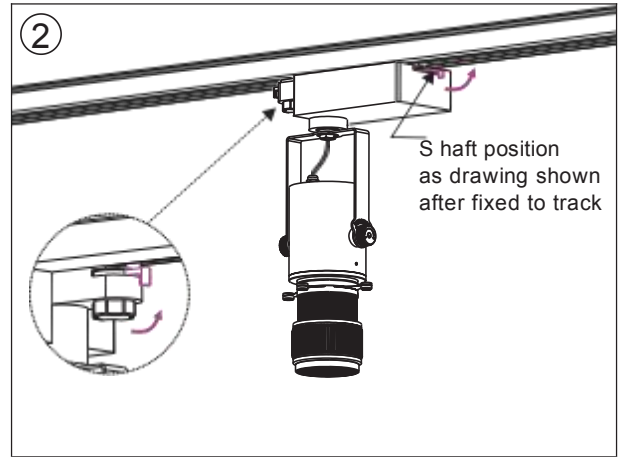
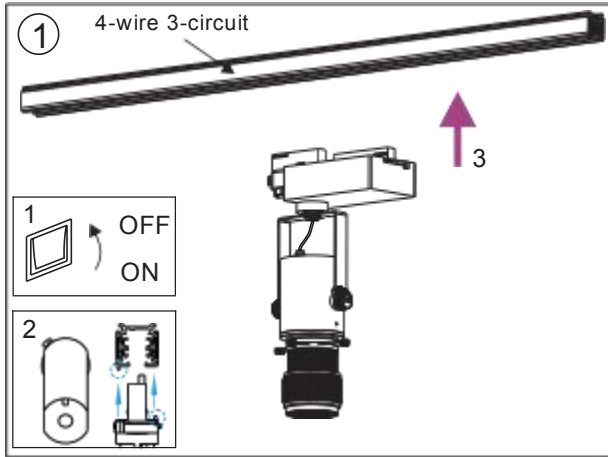


P rojector replacement instructions

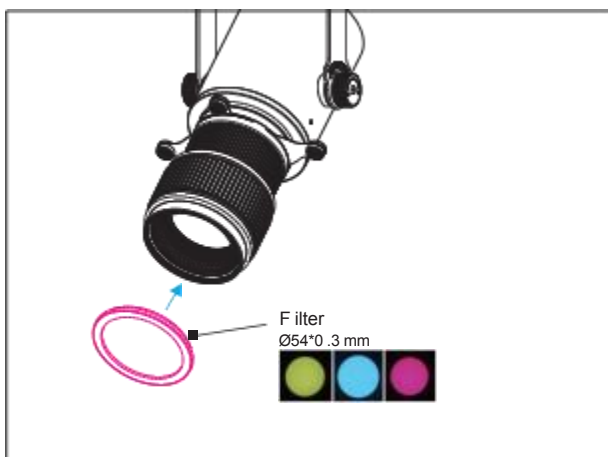


TL48 Tacklight Installation Instructions (Projection illuminated imaging system)

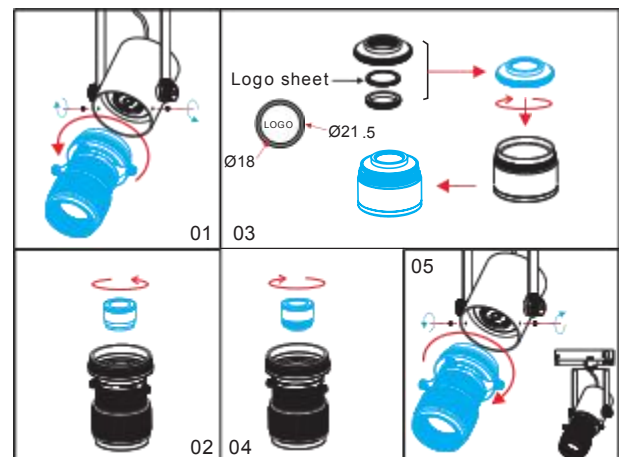
Adaptor installation diagram



F filter instructions

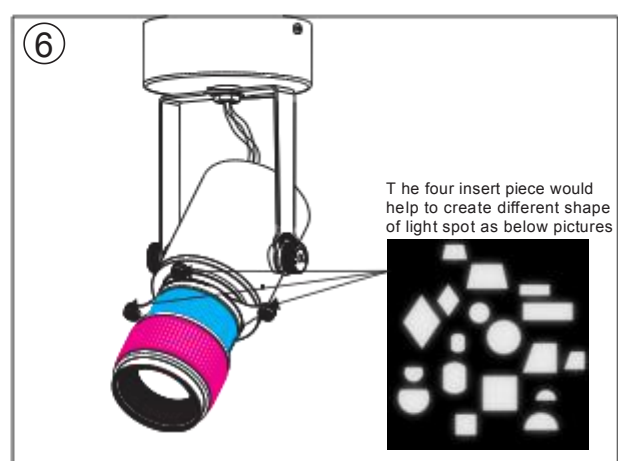
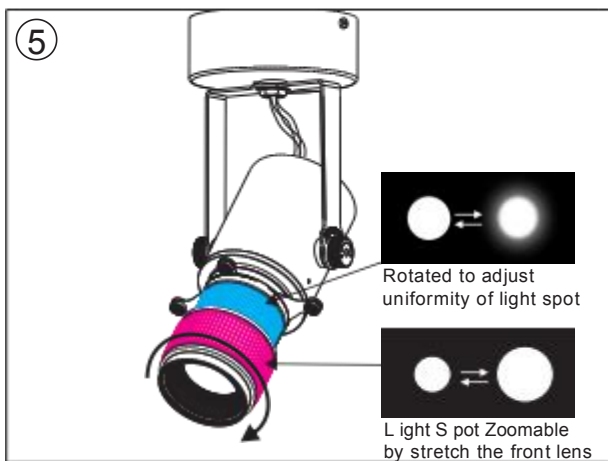
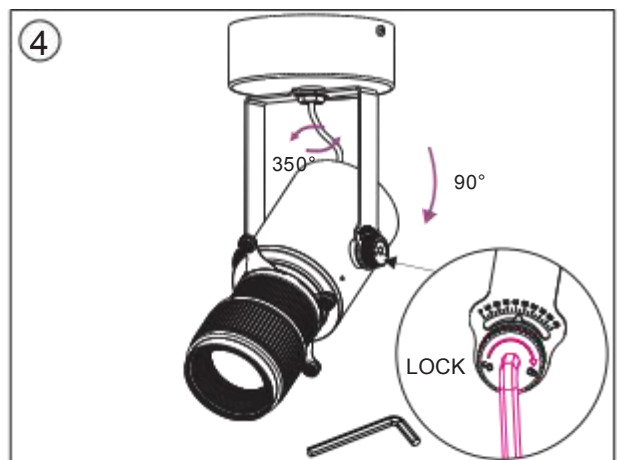
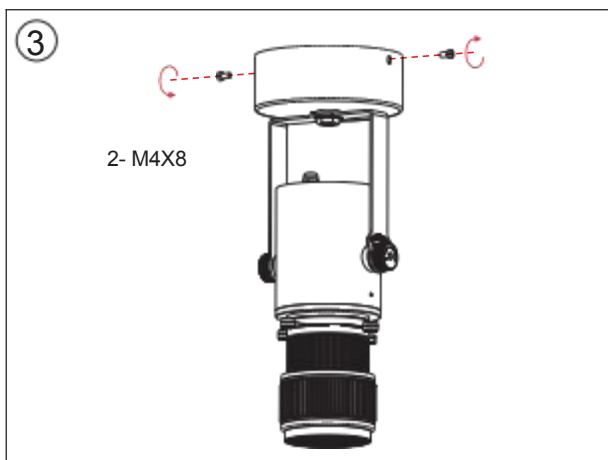
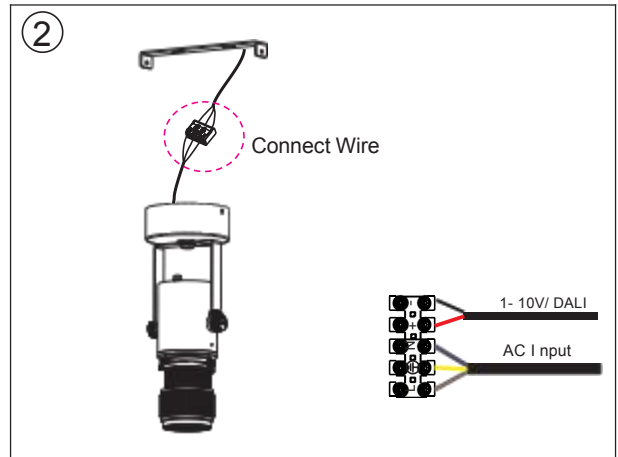
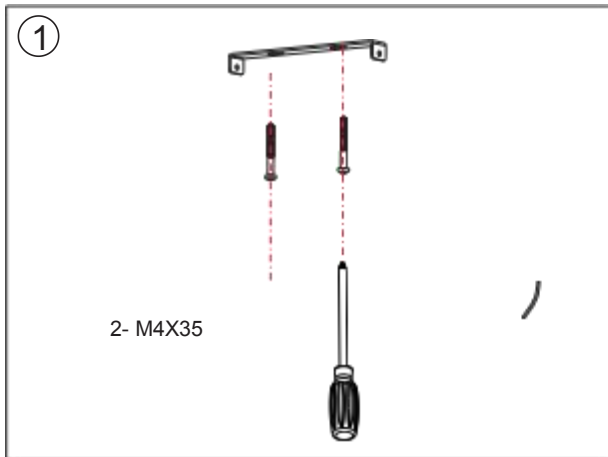


P projector replacement instructions

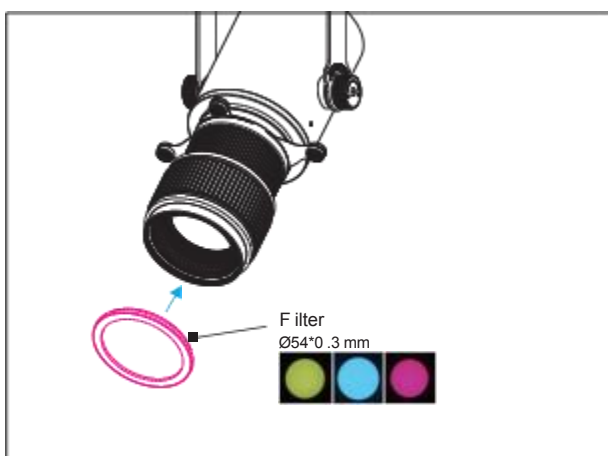


SD48 Installation Instructions (Projection illuminated imaging system)

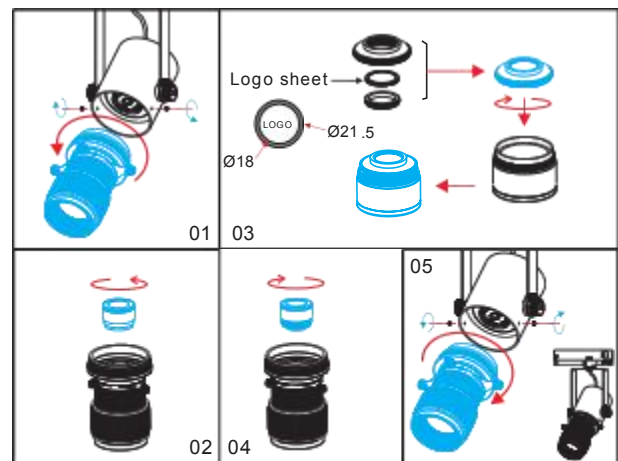
Adaptor installation diagram



Filter instructions

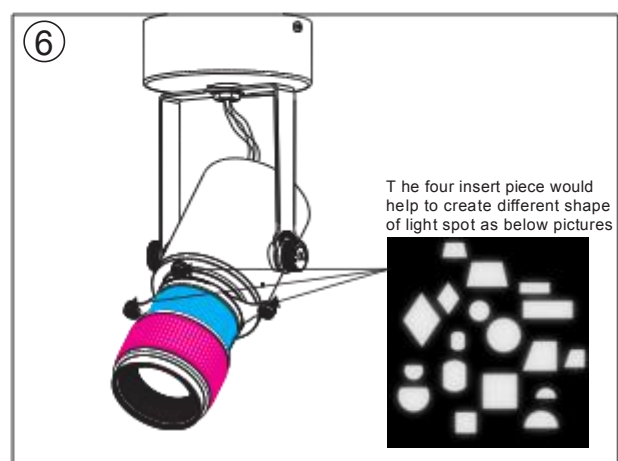
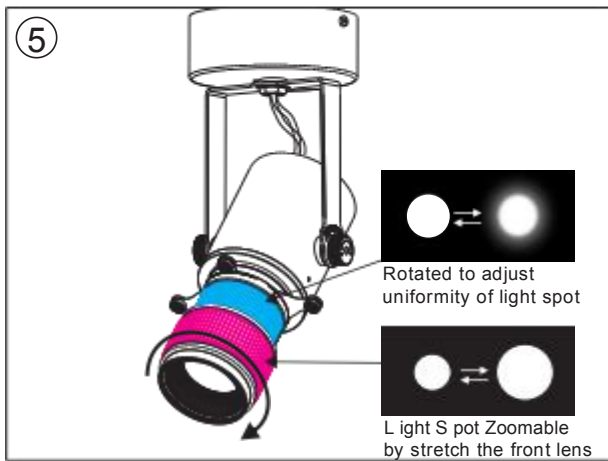
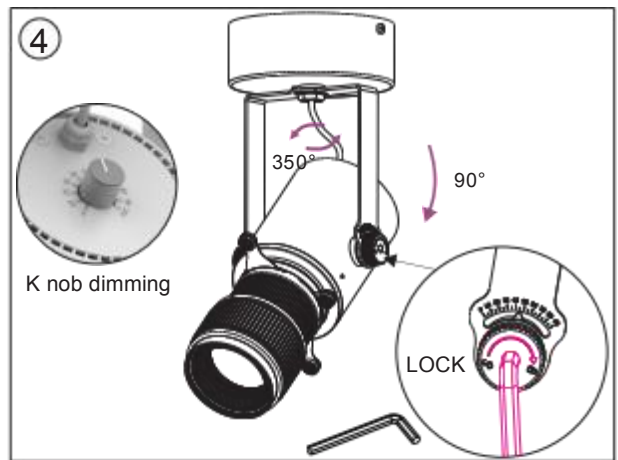
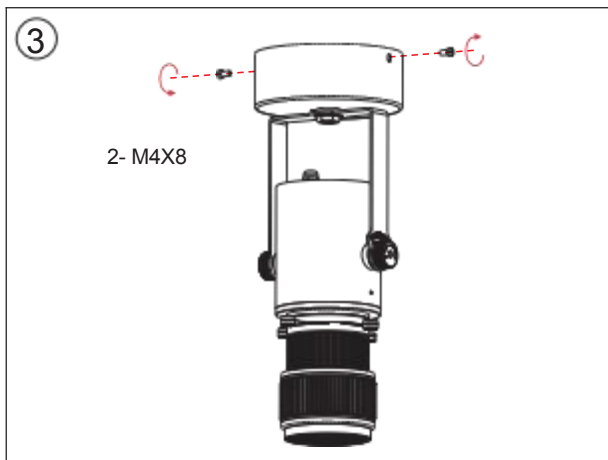
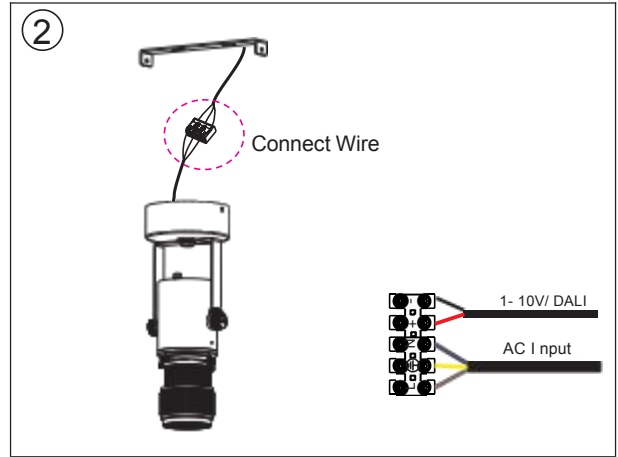
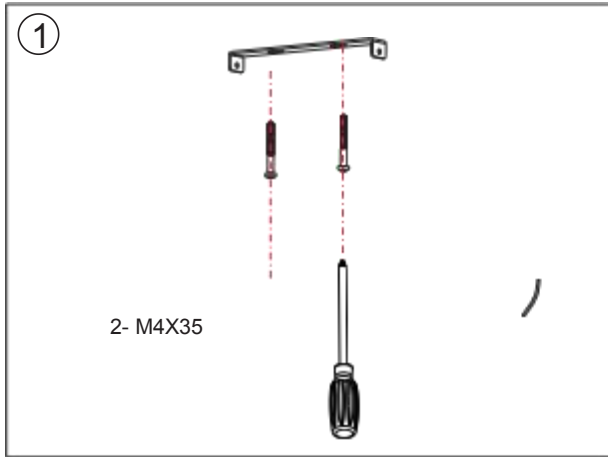


P projector replacement instructions

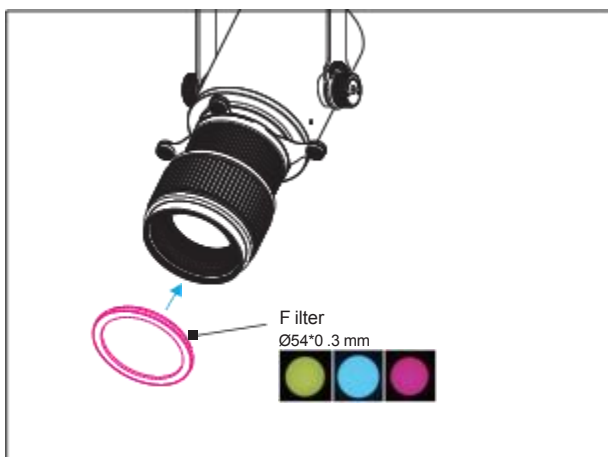


SD48 Installation Instructions (**K nob dimming**) , (**P** rojection illuminated imaging system)

Adaptor installation diagram



Filter instructions



P projector replacement instructions

