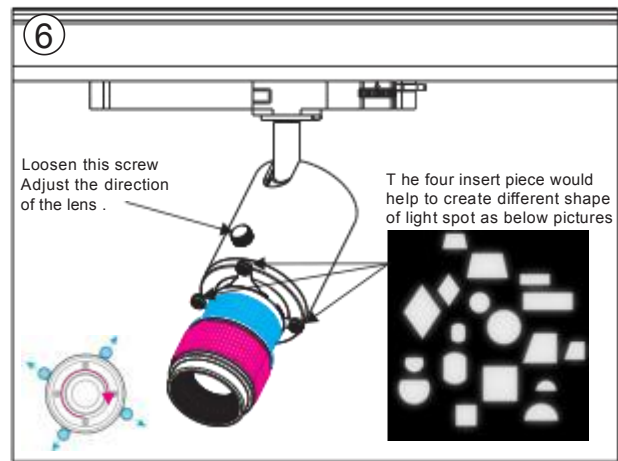
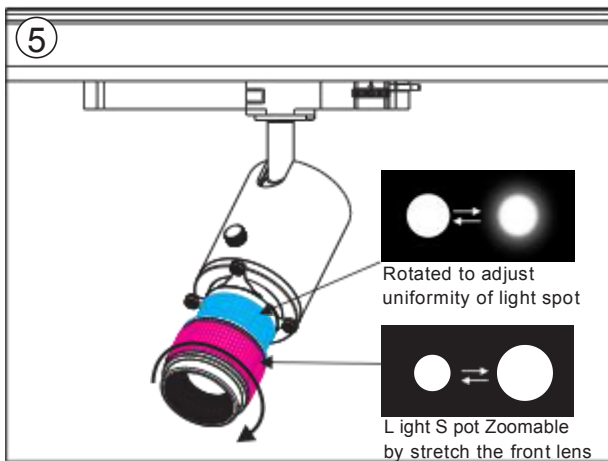
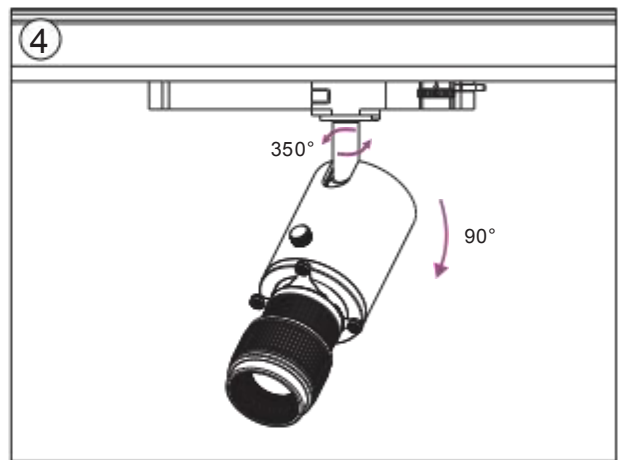
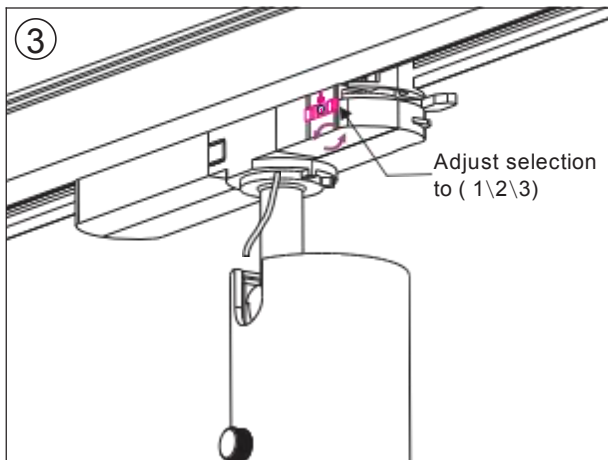
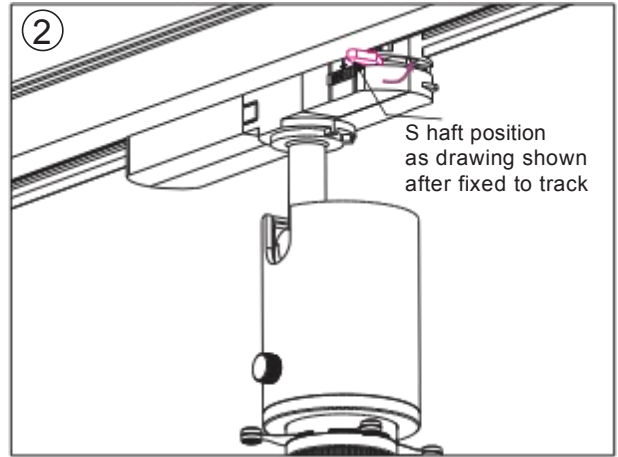
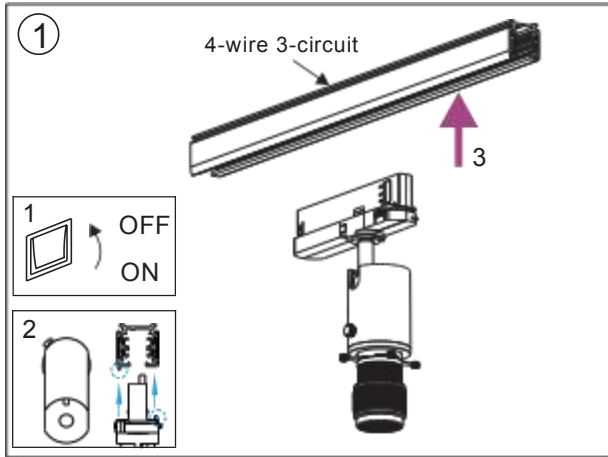
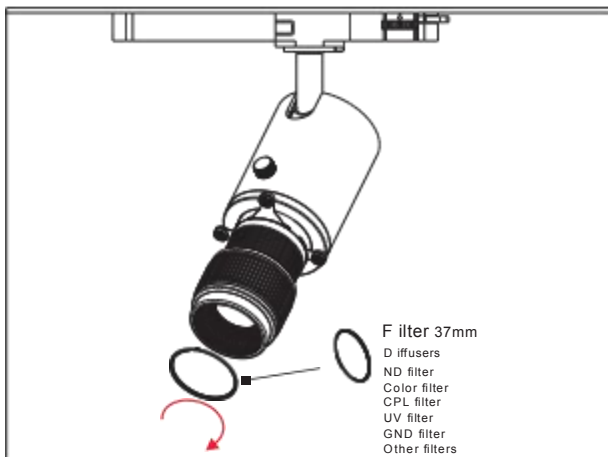


# ALT55P Tacklight Installation Instructions (Projection illuminated imaging system)

## Adaptor installation diagram



## Filter instructions



## P rojector replacement instructions

