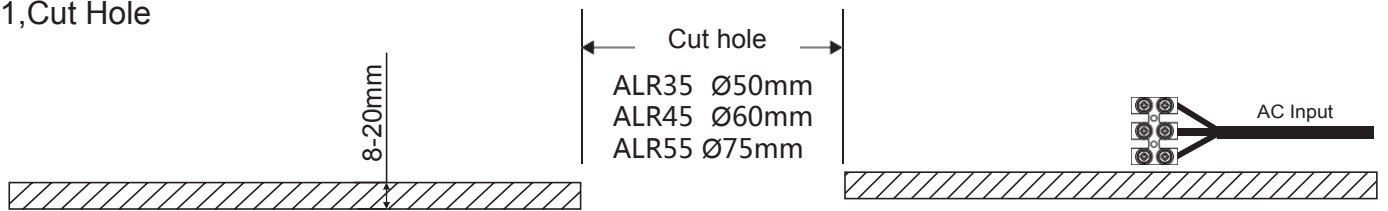
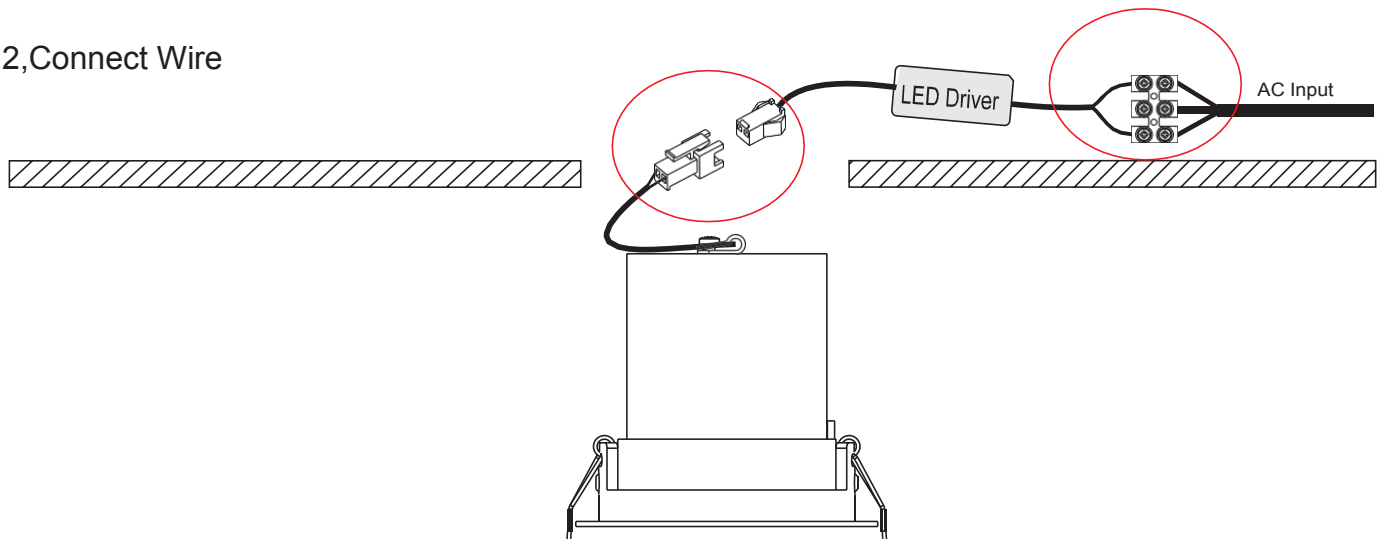


# ALR35/ALR45/ALR55 Installation Instruction

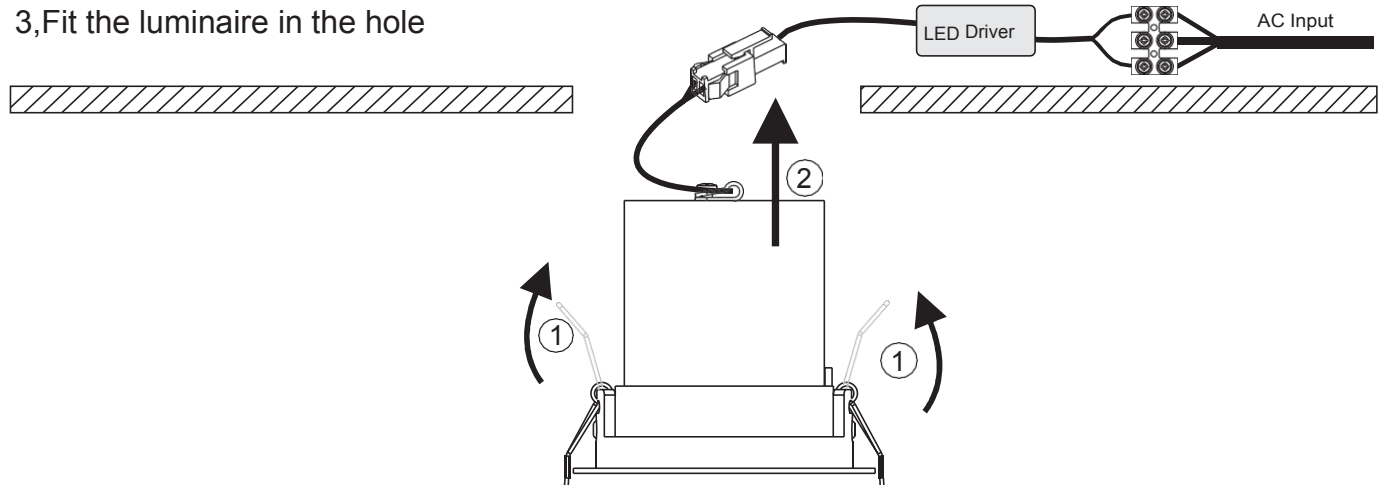
## 1,Cut Hole



## 2,Connect Wire



## 3,Fit the luminaire in the hole



## 4,Finish

